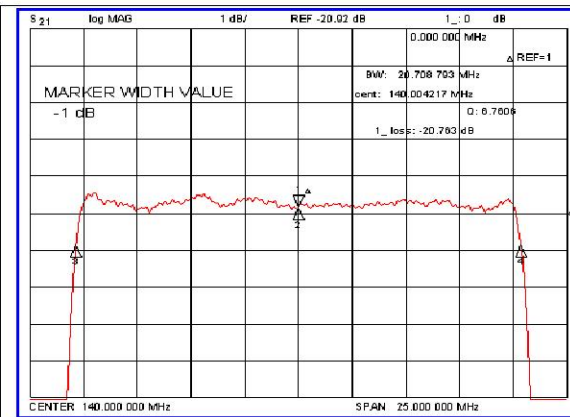
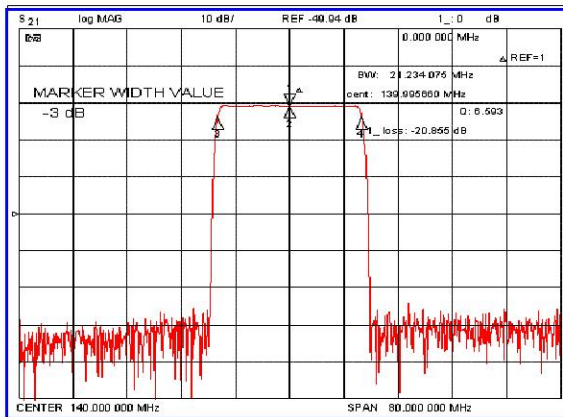


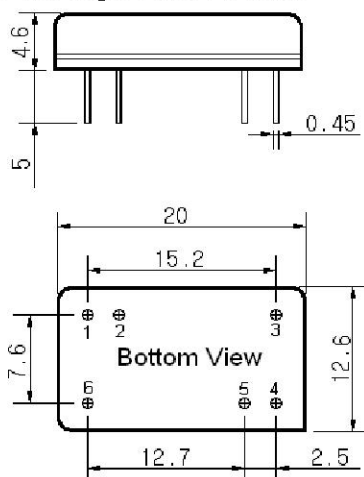
Typical Performance



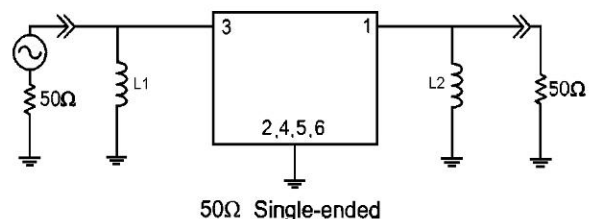
Specification

Parameter	Unit	Min.	Typ.	Max.
Center Frequency	Mhz	139.80	140.00	140.20
Insertion Loss	dB	-	21.00	23.00
1dB Bandwidth	Mhz	-	20.71	-
3dB Bandwidth	Mhz	21.00	21.23	-
40dB Bandwidth	Mhz	-	23.40	23.80
Passband Ripple	dB	-	0.55	1.00
Group Delay Variation	nsec	-	50	100
Absolute Delay	μsec	-	1.67	-
Ultimate Attenuation	dB	50	55	-
Substrate Material	-	128-LiNbO ₃		
Temperature Coefficient	ppm/°C	-72		

Package Dimension



Matching Configuration



L1=120nH, L2=100nH
 Source / Load Impedance = 50Ω
 Ambient Temperature = 25°C

Rev0. 080625

