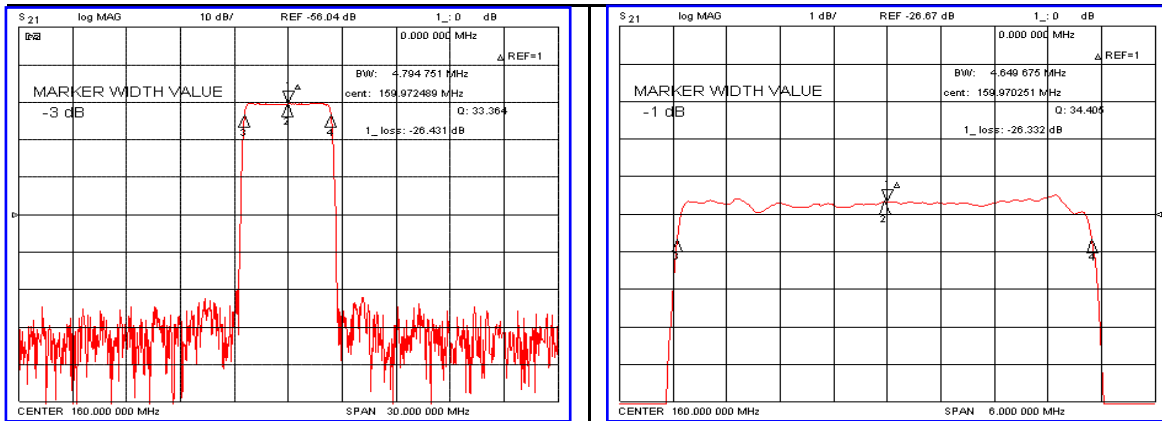


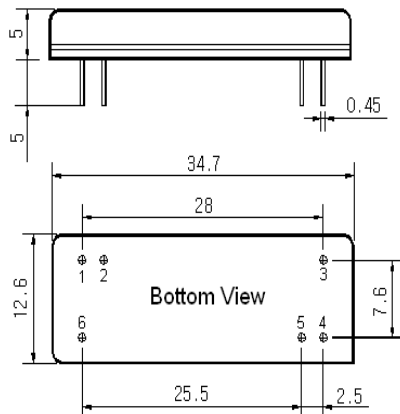
Typical Performance



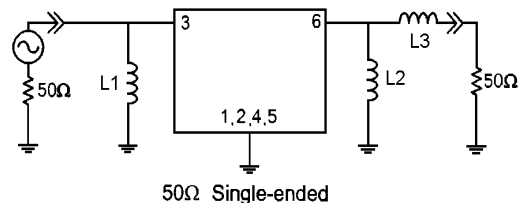
Specification

Parameter	Unit	Min.	Typ.	Max.
Center Frequency (Fc)	MHz	-	160.00	-
Insertion Loss	dB	-	26.50	28.00
1dB Bandwidth	MHz	-	4.64	-
3dB Bandwidth	MHz	4.60	4.79	-
30dB Bandwidth	MHz	-	5.29	5.40
Passband Ripple (Fc±2.20MHz)	dB	-	0.55	1.00
Group Delay Variation	nsec	-	140	250
Absolute Delay	µsec	-	3.33	-
Ultimate Attenuation				
Fc±2.7MHz	dB	30	35	-
Fc±3.5MHz	dB	50	55	-
Substrate Material	-	Quartz		

Package Dimension



Matching Configuration



L1=L2=22nH, L3=33nH
 Source / Load Impedance = 50Ω
 Ambient Temperature = 25°C

09/12/2006

