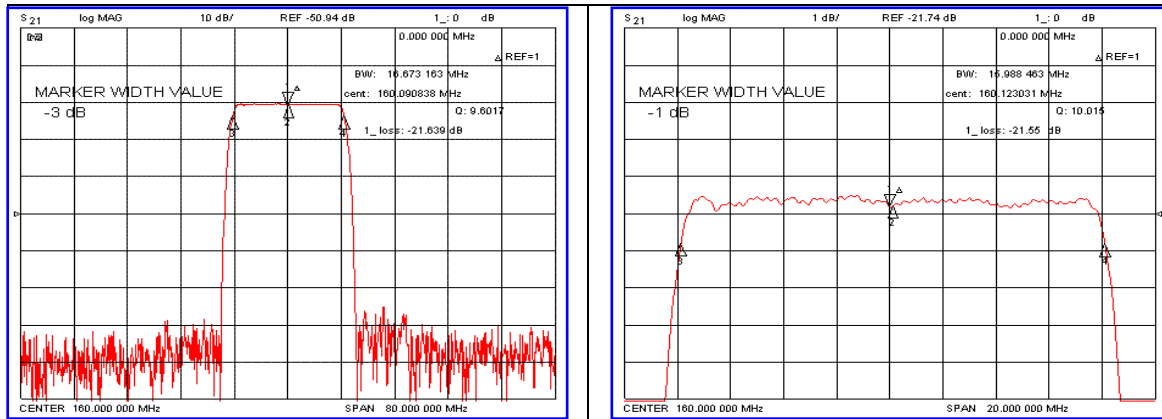


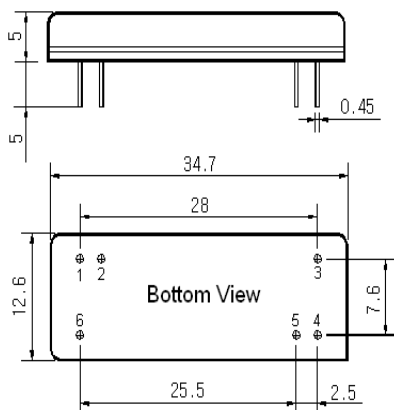
Typical Performance



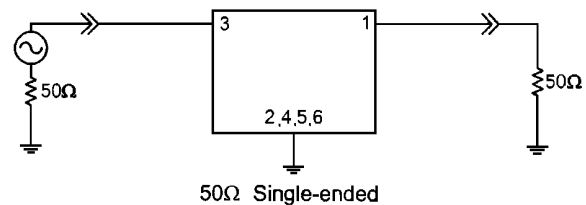
Specification

Parameter	Unit	Min.	Typ.	Max.
Center Frequency	MHz	159.80	160.00	160.20
Insertion Loss	dB	-	21.70	24.00
1dB Bandwidth	MHz	15.60	15.98	-
3dB Bandwidth	MHz	16.00	16.67	-
40dB Bandwidth	MHz	-	19.61	19.80
Passband Ripple	dB	-	0.50	1.00
Group Delay Variation	nsec	-	50	100
Absolute Delay	μsec	-	1.45	-
Ultimate Attenuation	dB	50	55	-
Substrate Material	-	Yz-LiNbO ₃		
Operating Temperature	°C	-55 ~ 85		
Temperature Coefficient	ppm/°C ²	-94		

Package Dimension



Matching Configuration



Source / Load Impedance = 50Ω
Ambient Temperature = 25°C

Rev0. 061229