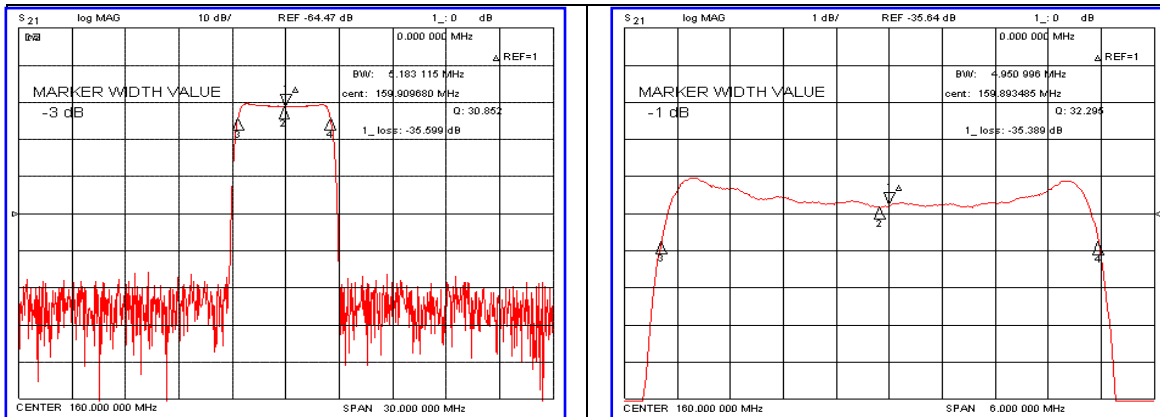


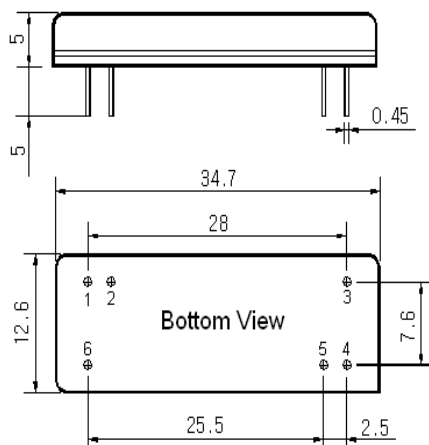
### Typical Performance



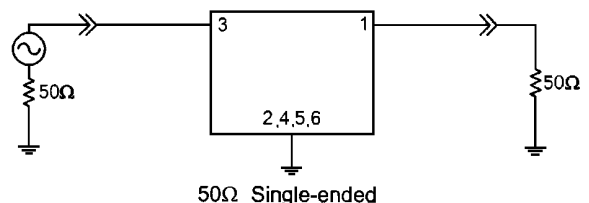
### Specification

Parameter	Unit	Min.	Typ.	Max.
Center Frequency	MHz	159.85	160.00	160.15
Insertion Loss	dB	-	35.70	37.50
1dB Bandwidth	MHz	4.74	4.95	-
3dB Bandwidth	MHz	5.00	5.18	-
40dB Bandwidth	MHz	-	6.15	6.30
Passband Ripple	dB	-	0.80	1.20
Group Delay Variation	nsec	-	100	200
Absolute Delay	µsec	-	2.47	-
Ultimate Attenuation	dB	40	45	-
Substrate Material	-	Quartz		
Temperature Coefficient	ppm/°C <sup>2</sup>	-0.03		

### Package Dimension



### Matching Configuration



Source / Load Impedance = 50Ω  
Ambient Temperature = 25°C

Rev0.061229