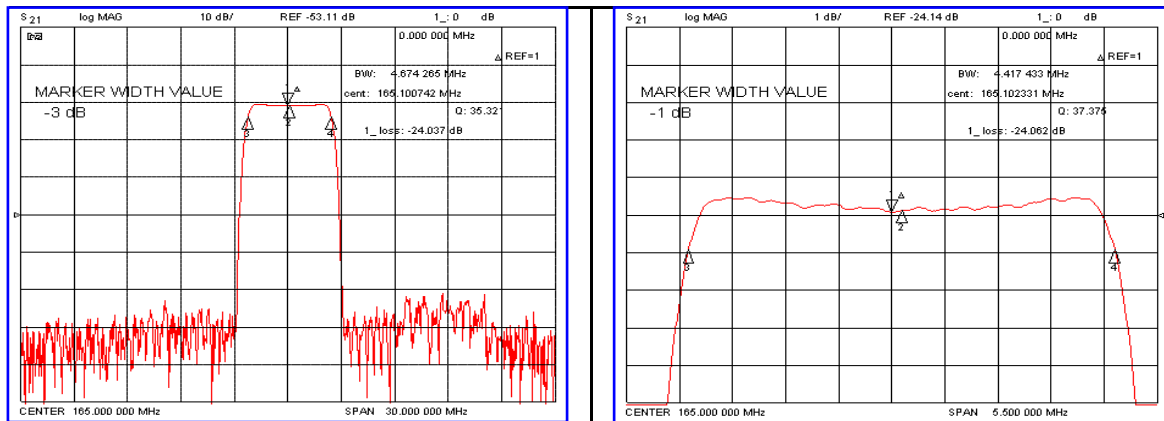


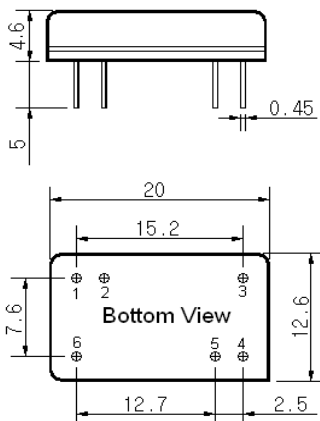
Typical Performance



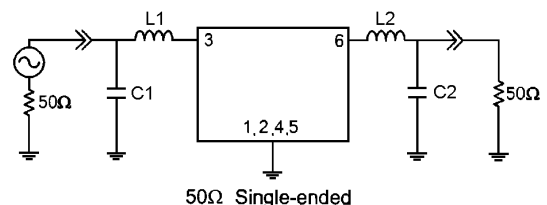
Specification

Parameter	Unit	Min.	Typ.	Max.
Center Frequency	MHz	164.85	165.00	165.15
Insertion Loss	dB	-	24.50	26.00
1dB Bandwidth	MHz	-	4.41	-
3dB Bandwidth	MHz	4.50	4.67	-
15dB Bandwidth	MHz	-	5.28	5.40
40dB Bandwidth	MHz	-	5.76	6.00
Passband Ripple	dB	-	0.55	1.00
Group Delay Variation	nsec	-	50	100
Absolute Delay	μsec	-	2.25	-
Ultimate Attenuation	dB	48	52	-
Substrate Material	-	Quartz		
Temperature Coefficient	ppm/°C	-0.03		

Package Dimension



Matching Configuration



L1=56nH, L2=47nH, C1=39pF, C2=43pF
 Source / Load Impedance = 50Ω
 Ambient Temperature = 25°C

Rev0. 061221

