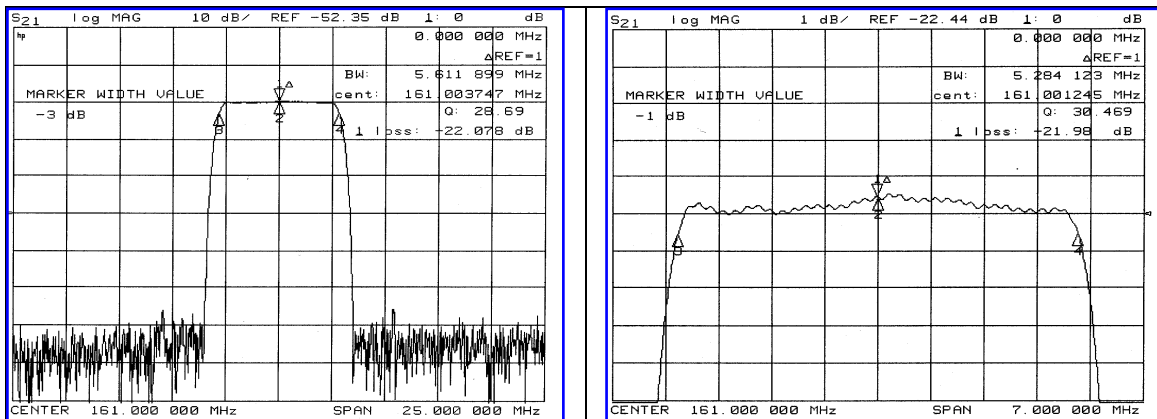


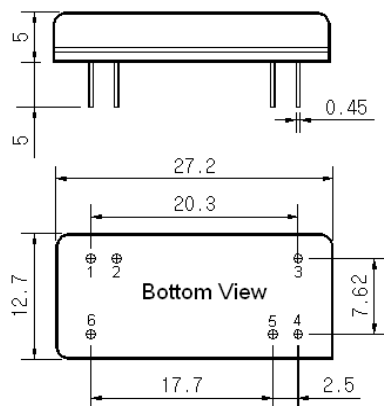
### Typical Performance



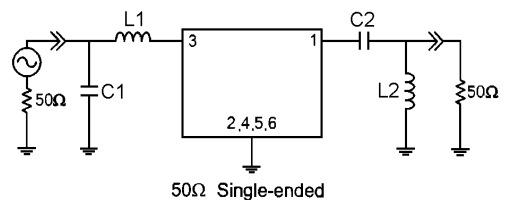
### Specification

Parameter	Unit	Min.	Typ.	Max.
Center Frequency	MHz	160.80	161.00	161.20
Insertion Loss	dB	-	22.50	24.00
1dB Bandwidth	MHz	-	5.28	-
3dB Bandwidth	MHz	5.50	5.61	-
40dB Bandwidth	MHz	-	6.79	7.00
Passband Ripple	dB	-	0.65	1.00
Group Delay Variation	nsec	-	150	250
Absolute Delay	μsec	-	3.22	-
Ultimate Attenuation	dB	50	55	-
Substrate Material	-	LiTaO <sub>3</sub>		
Temperature Coefficient	ppm/°C	-20		

### Package Dimension



### Matching Configuration



L1=15nH, L2=68nH, C1=47pF, C2=68pF  
 Source / Load Impedance = 50Ω  
 Ambient Temperature = 25°C

