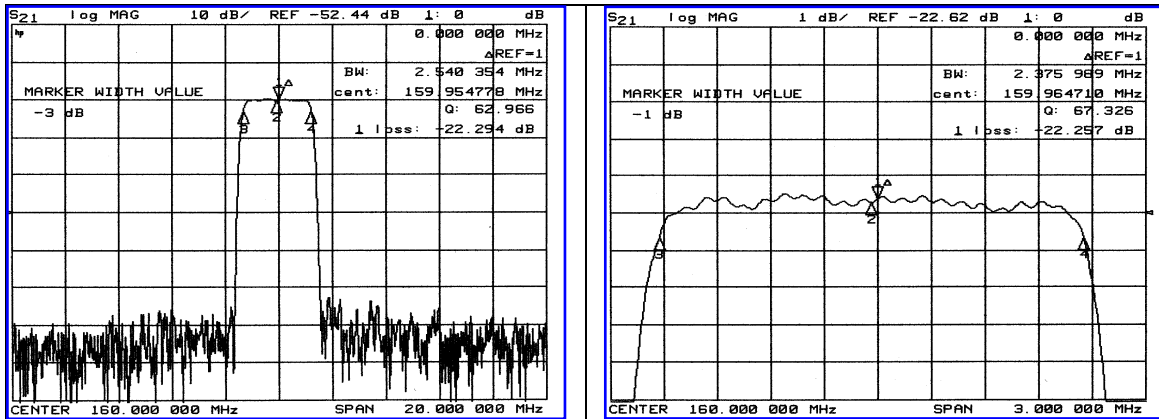


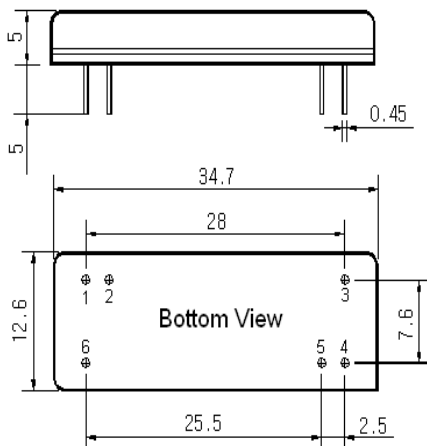
Typical Performance



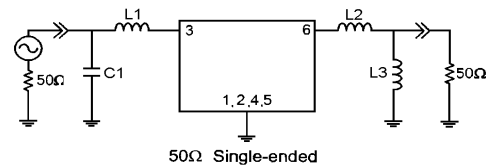
Specification

| Parameter | Unit | Min. | Typ. | Max. |
|-------------------------|---------------------|--------|--------|--------|
| Center Frequency | MHz | 159.90 | 160.00 | 160.10 |
| Insertion Loss | dB | - | 22.50 | 24.00 |
| 1dB Bandwidth | MHz | - | 2.37 | - |
| 3dB Bandwidth | MHz | 2.50 | 2.54 | - |
| 40dB Bandwidth | MHz | - | 3.08 | 3.15 |
| Passband Ripple | dB | - | 0.65 | 1.00 |
| Group Delay Variation | nsec | - | 300 | 400 |
| Absolute Delay | µsec | - | 4.50 | - |
| Ultimate Attenuation | dB | 50 | 53 | - |
| Substrate Material | - | Quartz | | |
| Temperature Coefficient | ppm/°C ² | -0.03 | | |

Package Dimension



Matching Configuration



L1=33nH, L2=2.7nH, L3=12nH, C1=51pF
 Source / Load Impedance = 50Ω
 Ambient Temperature = 25°C

Rev0.070118

