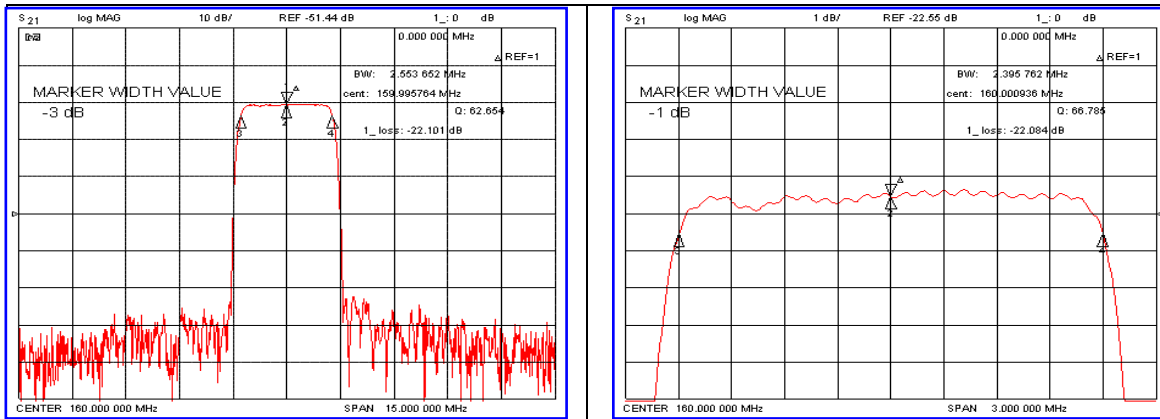


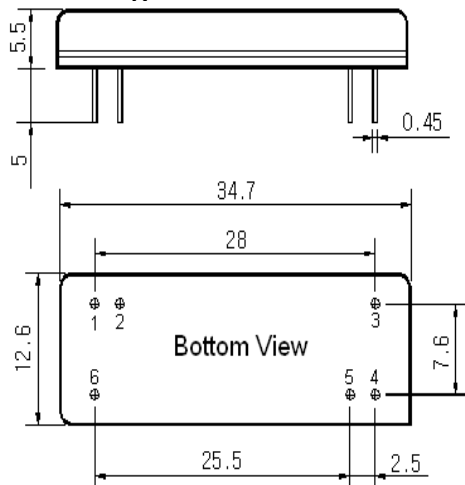
Typical Performance



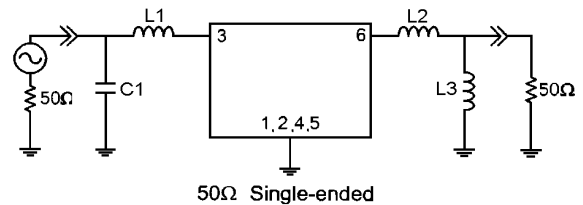
Specification

Parameter	Unit	Min.	Typ.	Max.
Center Frequency	MHz	159.90	160.00	160.10
Insertion Loss	dB	-	22.50	24.00
1dB Bandwidth	MHz	-	2.39	-
3dB Bandwidth	MHz	2.50	2.55	-
40dB Bandwidth	MHz	-	3.08	3.15
Passband Ripple	dB	-	0.60	1.00
Group Delay Variation	nsec	-	200	300
Absolute Delay	μsec	-	4.51	-
Ultimate Attenuation	dB	50	53	-
Substrate Material	-	Quartz		
Temperature Coefficient	ppm/°C	-0.03		

Package Dimension



Matching Configuration



L1=33nH, L2=1.5nH, L3=10nH, C1=36pF
 Source / Load Impedance = 50Ω
 Ambient Temperature = 25°C

Rev1. 070125

