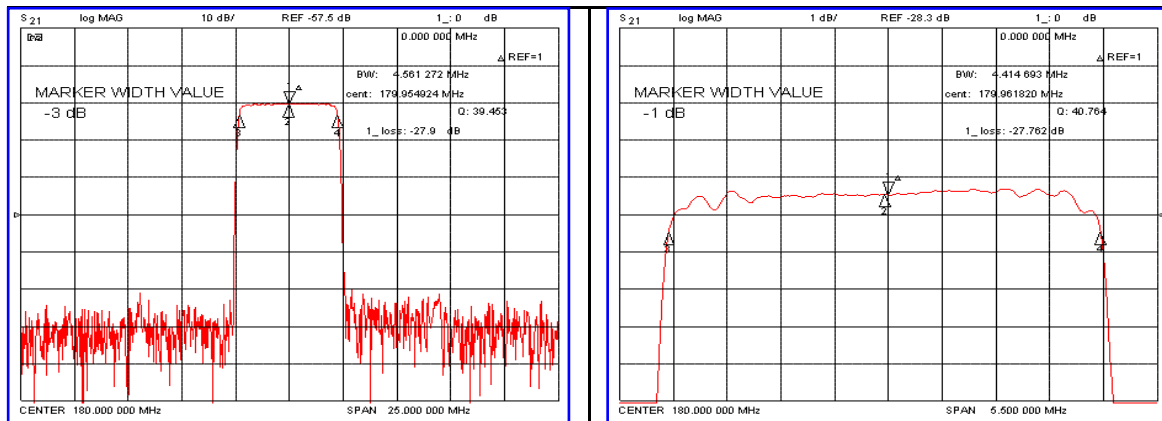


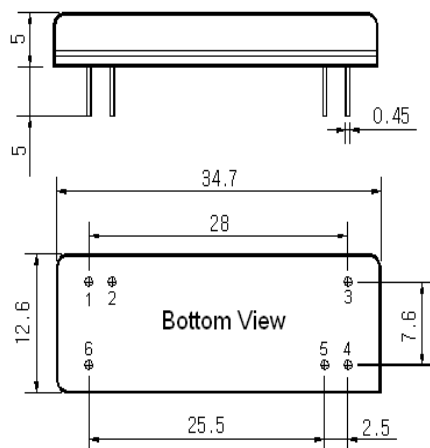
### Typical Performance



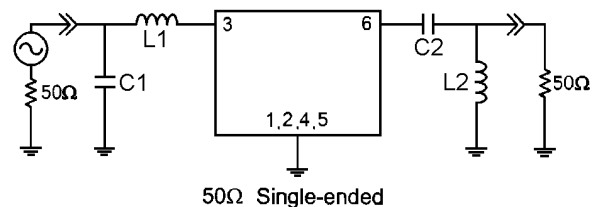
### Specification

Parameter	Unit	Min.	Typ.	Max.
Center Frequency (Fc)	MHz	179.92	180.00	180.08
Insertion Loss	dB	-	27.80	29.50
1dB Bandwidth	MHz	-	4.41	-
3dB Bandwidth	MHz	4.50	4.56	-
40dB Bandwidth	MHz	-	5.08	5.13
50dB Bandwidth	MHz	-	5.18	5.40
Passband Ripple ( $\Delta f_o \pm 2.2$ MHz)	dB	-	1.30	2.00
Group Delay Variation ( $\Delta f_o \pm 2.2$ MHz)	nsec	-	210	300
Absolute Delay	$\mu$ sec	-	3.85	-
Ultimate Attenuation	dB	45	50	-
Substrate Material	-	Quartz		

### Package Dimension



### Matching Configuration



C1=43pF, L1=27nH, C2=110pF, L2=15nH  
 Source / Load Impedance = 50 $\Omega$   
 Ambient Temperature = 25 $^{\circ}$ C

Rev 0. 061216

