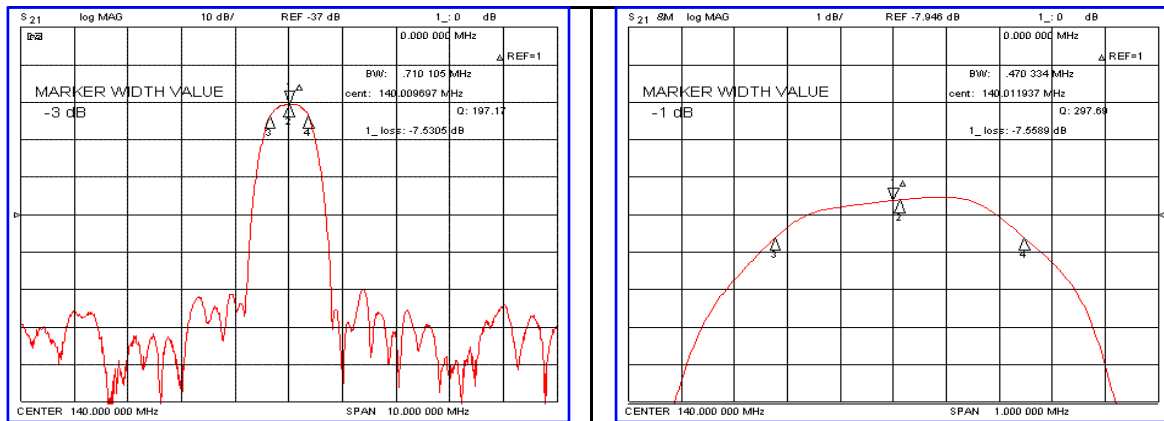


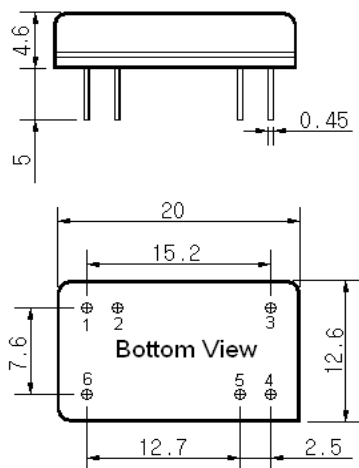
Typical Performance



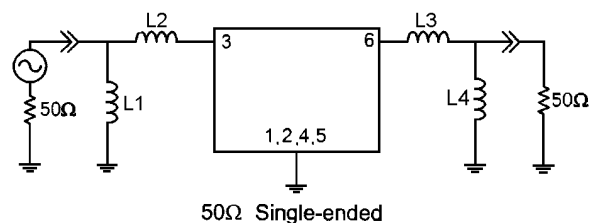
Specification

Parameter	Unit	Min.	Typ.	Max.
Center Frequency	MHz	139.85	140.00	140.15
Insertion Loss	dB	-	7.60	9.00
1dB Bandwidth	MHz	-	0.47	-
3dB Bandwidth	MHz	0.65	0.71	-
40dB Bandwidth	MHz	-	1.50	1.70
Passband Ripple	dB	-	0.50	1.00
Group Delay Variation($F_c \pm 0.1\text{MHz}$)	nsec	-	110	250
Absolute Delay	μsec	-	1.53	-
Ultimate Attenuation	dB	40	48	-
Substrate Material	-	Quartz		
Temperature Coefficient	ppm/ $^{\circ}\text{C}$	-0.03		

Package Dimension



Matching Configuration



L1=22nH, L2=27nH, L3=33nH, L4=27nH
 Source / Load Impedance = 50Ω
 Ambient Temperature = 25°C

Rev0. 070307

