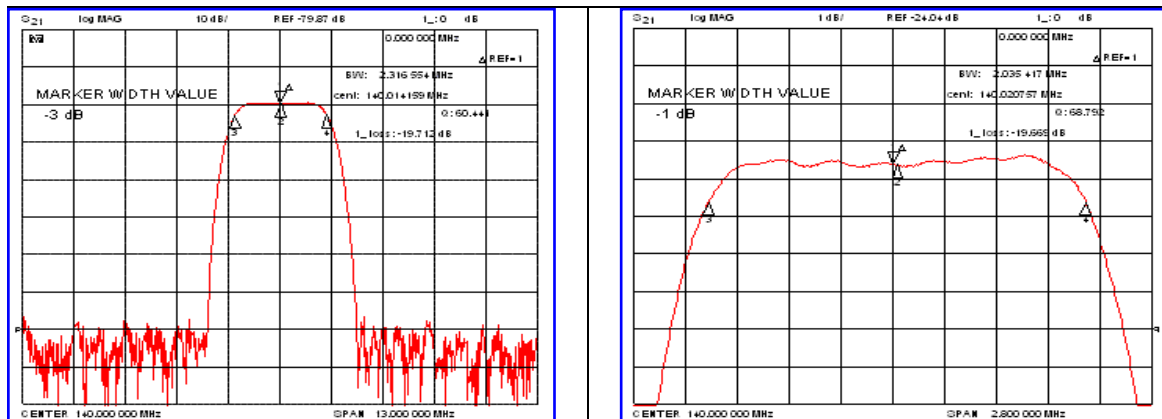


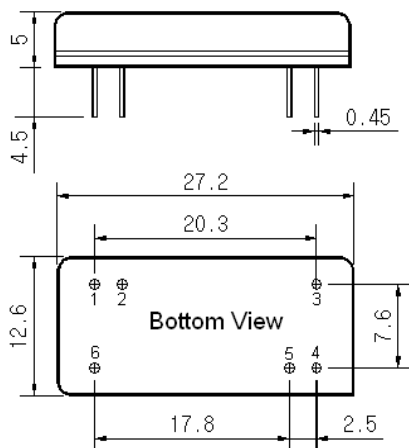
Typical Performance



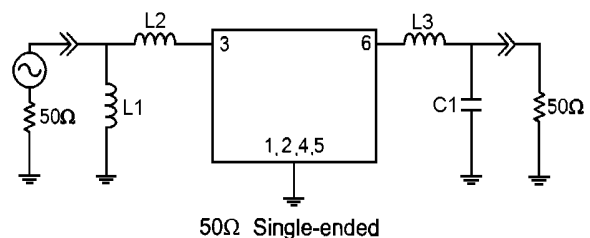
Specification

Parameter	Unit	Min.	Typ.	Max.
Center Frequency	MHz	139.85	140.00	140.15
Insertion Loss	dB	-	20.00	23.00
1dB Bandwidth	MHz	-	2.03	-
3dB Bandwidth	MHz	2.10	2.31	-
40dB Bandwidth	MHz	-	3.55	3.70
Passband Ripple	dB	-	0.45	1.00
Group Delay Variation	nsec	-	100	200
Absolute Delay	µsec	-	1.84	-
Ultimate Attenuation	dB	50	55	-
Substrate Material	-	Quartz		
Temperature Coefficient	ppm/°C	-0.03		

Package Dimension



Matching Configuration



L1=39nH, L2=27nH, L3=68nH, C1=43pF
 Source / Load Impedance = 50Ω
 Ambient Temperature = 25°C

Rev.0 081007

