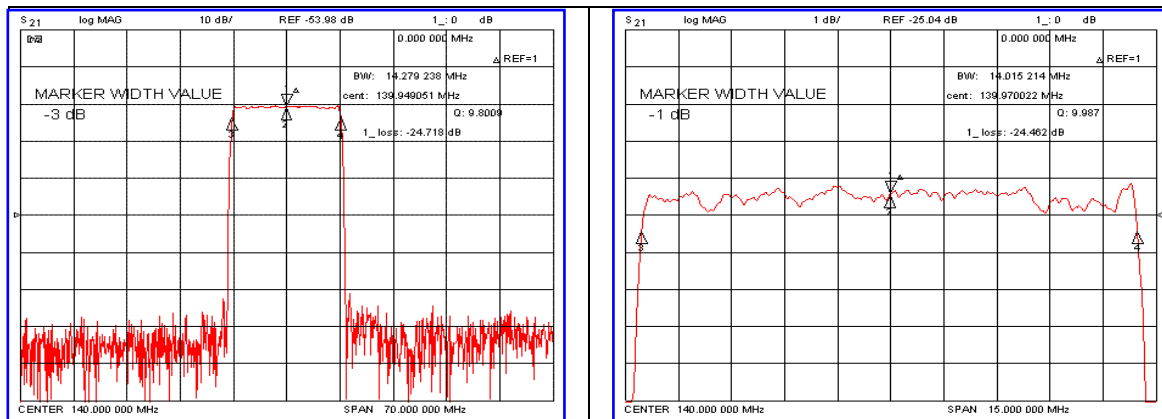


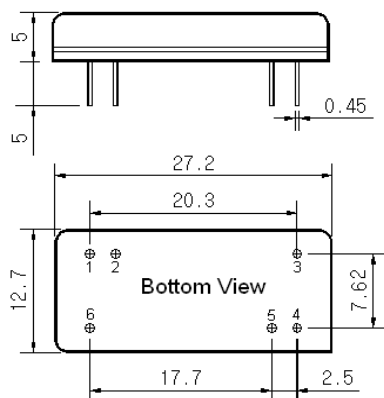
Typical Performance



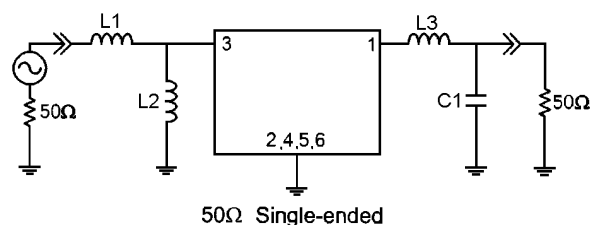
Specification

Parameter	Unit	Min.	Typ.	Max.
Center Frequency	MHz	139.85	140.00	140.15
Insertion Loss	dB	-	24.70	26.00
1dB Bandwidth	MHz	-	14.00	-
3dB Bandwidth	MHz	14.10	14.27	-
40dB Bandwidth	MHz	-	15.37	-
50dB Bandwidth	MHz	-	15.52	15.70
Passband Ripple($F_c \pm 6.875$ MHz)	dB	-	0.88	1.20
Group Delay Variation	nsec	-	120	250
Absolute Delay	μ sec	-	2.87	-
Relative Attenuation($F_c \pm 7.875$ MHz)	dB	-	55	-
Substrate Material	-	128-LiNbO ₃		
Temperature Coefficient	ppm/ $^{\circ}$ C	-72		

Package Dimension



Matching Configuration



L1=10nH, L2=56nH, L3=12nH, C1=22pF
 Source / Load Impedance = 50 Ω
 Ambient Temperature = 25 $^{\circ}$ C

Rev1. 070214

