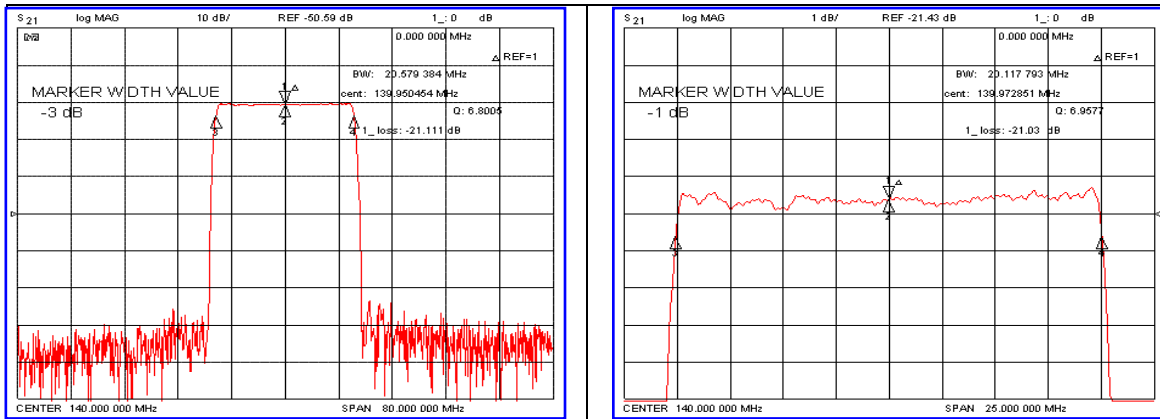


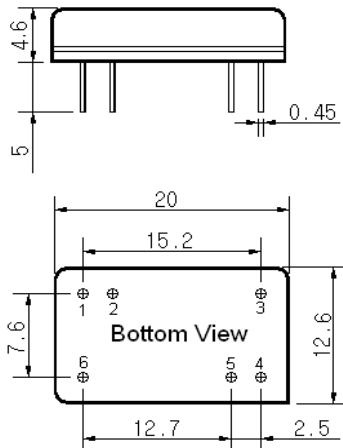
Typical Performance



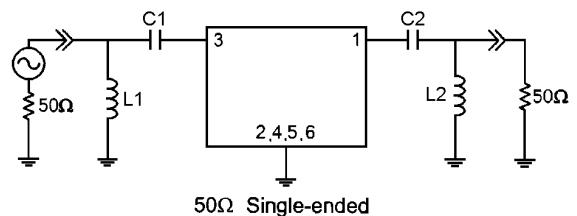
Specification

Parameter	Unit	Min.	Typ.	Max.
Center Frequency	Mhz	139.80	140.00	140.20
Insertion Loss	dB	-	21.50	24.00
1dB Bandwidth	Mhz	20.00	20.11	-
3dB Bandwidth	Mhz	-	20.57	-
20dB Bandwidth	Mhz	-	21.94	22.00
Passband Ripple($F_c \pm 9.22$ MHz)	dB	-	0.60	1.00
Group Delay Variation	nsec	-	50	100
Absolute Delay	μ sec	-	1.69	-
Ultimate Attenuation	dB	50	55	
Substrate Material	-	128-LiNbO ₃		
Temperature Coefficient	ppm/ $^{\circ}$ C	-72		

Package Dimension



Matching Configuration



L1=82nH, L2=82nH, C1=C2=180pF
 Source / Load Impedance = 50 Ω
 Ambient Temperature = 25 $^{\circ}$ C

Rev0. 061214

