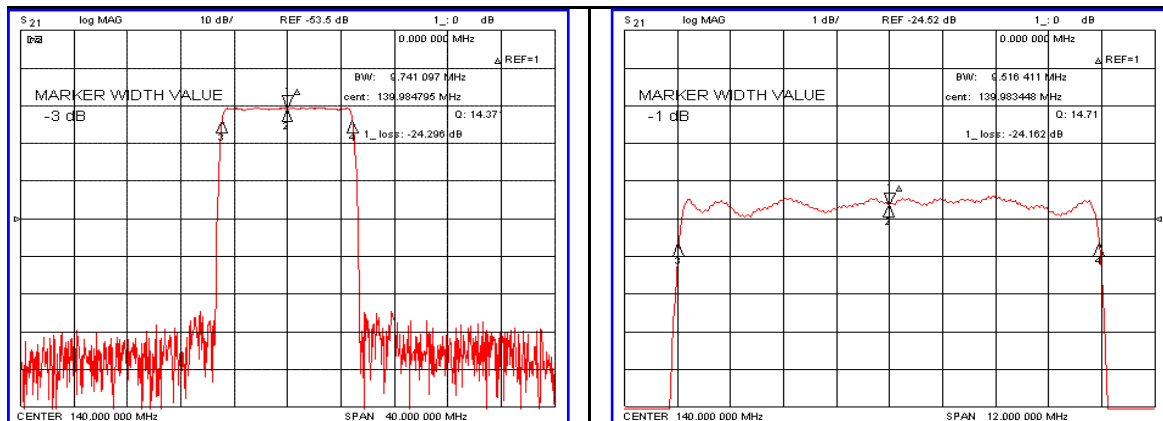


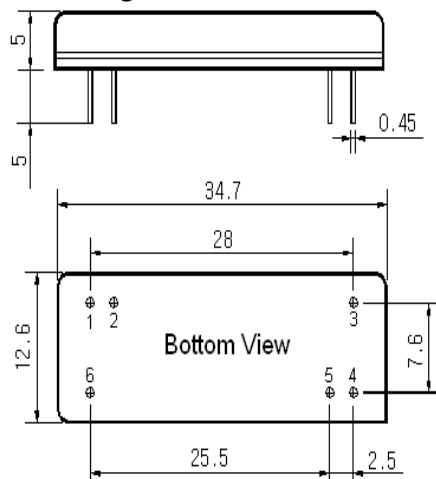
Typical Performance



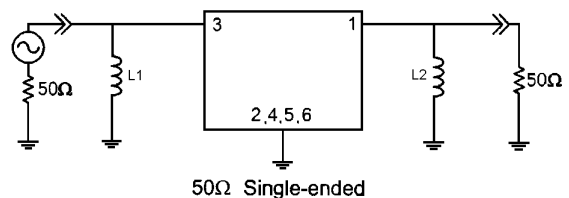
Specification

Parameter	Unit	Min.	Typ.	Max.
Center Frequency (Fc)	MHz	139.85	140.00	140.15
Insertion Loss	dB	-	24.30	26.00
1dB Bandwidth	MHz	-	9.51	-
3dB Bandwidth	MHz	9.60	9.74	-
40dB Bandwidth	MHz	-	10.65	10.80
Passband Ripple	dB	-	0.55	1.00
Group Delay Variation	nsec	-	100	200
Absolute Delay	μsec	-	4.16	-
Ultimate Attenuation	dB	50	55	-
Substrate Material	-	112-LiTaO ₃		
Temperature Coefficient	ppm/°C	-20		

Package Dimension



Matching Configuration



L1 = 22nH, L2 = 22nH
 Source / Load Impedance = 50Ω
 Ambient Temperature = 25°C

Rev0. 070621

