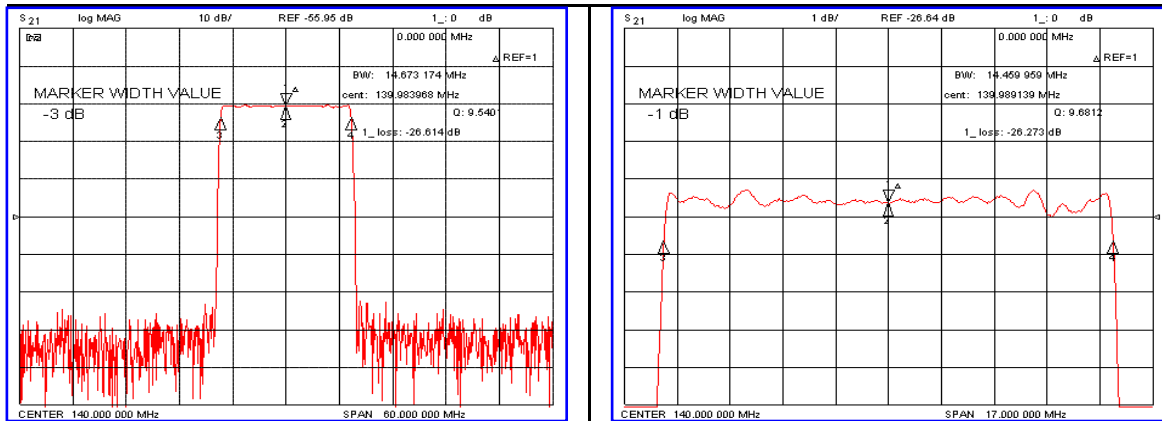


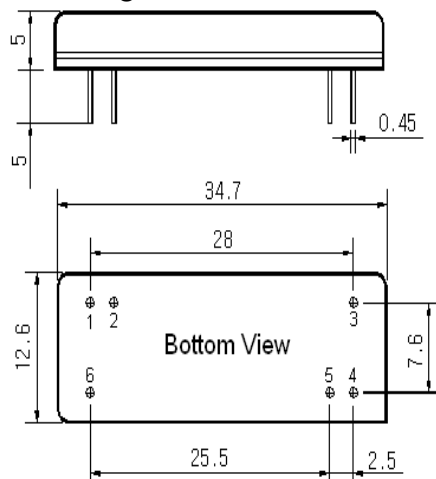
Typical Performance



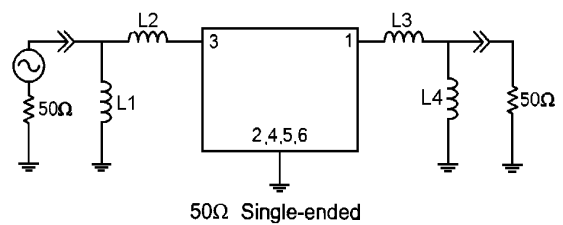
Specification

Parameter	Unit	Min.	Typ.	Max.
Center Frequency (Fc)	MHz	139.85	140.00	140.15
Insertion Loss	dB	-	26.70	28.00
1dB Bandwidth	MHz	-	14.46	-
3dB Bandwidth	MHz	14.50	14.67	-
40dB Bandwidth	MHz	-	15.61	15.80
Passband Ripple	dB	-	0.75	1.00
Group Delay Variation	nsec	-	50	100
Absolute Delay	μsec	-	3.84	-
Ultimate Attenuation	dB	50	55	-
Substrate Material	-	112-LiTaO ₃		
Temperature Coefficient	ppm/°C	-20		

Package Dimension



Matching Configuration



L1=L4= 22nH, L2=6.8nH, L3=10nH
 Source / Load Impedance = 50Ω
 Ambient Temperature = 25°C

Rev0. 070621

