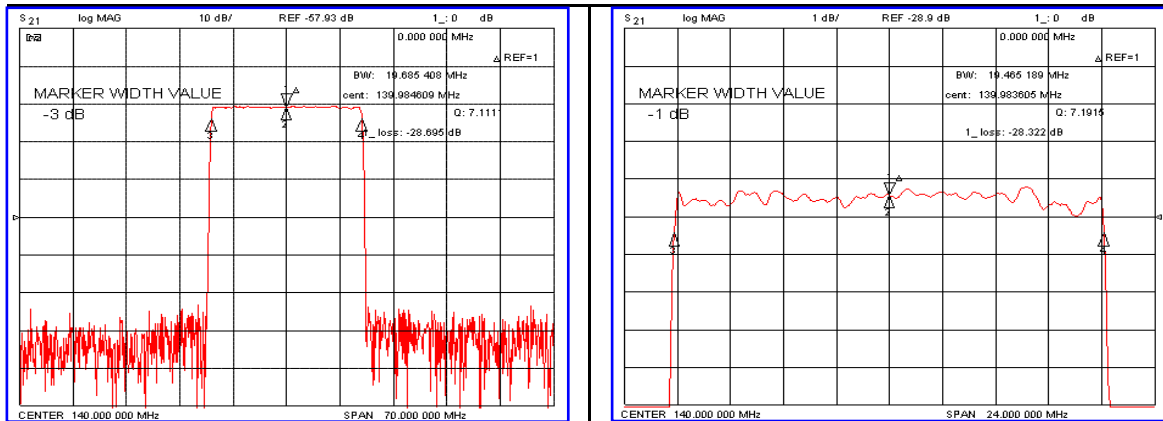


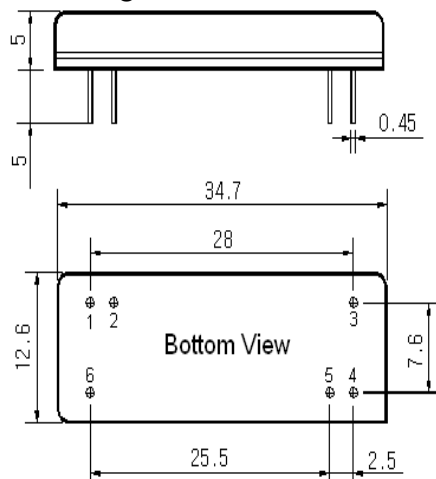
Typical Performance



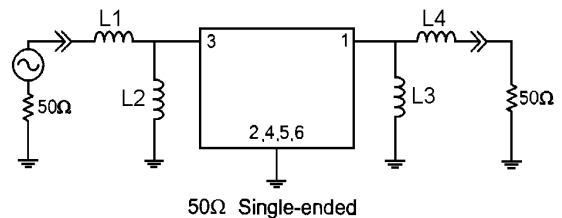
Specification

Parameter	Unit	Min.	Typ.	Max.
Center Frequency (Fc)	MHz	139.85	140.00	140.15
Insertion Loss	dB	-	28.70	30.00
1dB Bandwidth	MHz	-	19.46	-
3dB Bandwidth	MHz	19.50	19.68	-
40dB Bandwidth	MHz	-	20.62	20.80
Passband Ripple	dB	-	0.79	1.00
Group Delay Variation	nsec	-	50	100
Absolute Delay	μsec	-	3.84	-
Ultimate Attenuation	dB	50	55	-
Substrate Material	-	112-LiTaO ₃		
Temperature Coefficient	ppm/°C	-20		

Package Dimension



Matching Configuration



L1=68nH, L2=L3=56nH, L4=82nH
 Source / Load Impedance = 50Ω
 Ambient Temperature = 25°C

Rev0. 070621

