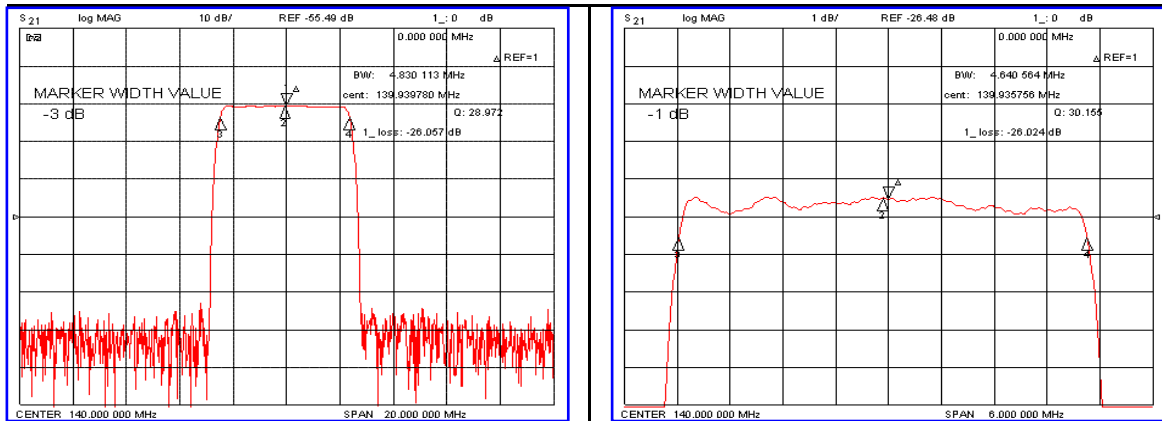


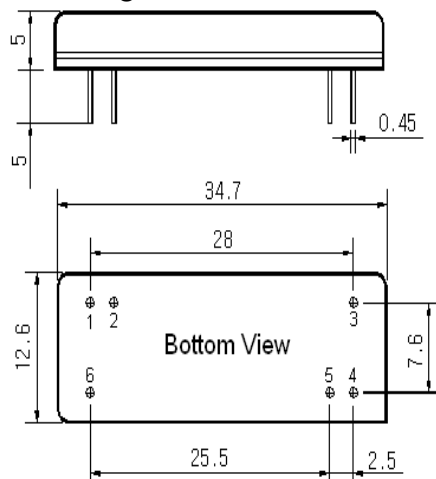
### Typical Performance



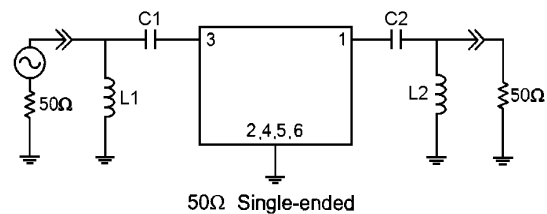
### Specification

Parameter	Unit	Min.	Typ.	Max.
Center Frequency (Fc)	MHz	139.90	140.00	140.10
Insertion Loss	dB	-	26.20	28.00
1dB Bandwidth	MHz	-	4.64	-
3dB Bandwidth	MHz	4.70	4.82	-
40dB Bandwidth	MHz	-	5.57	5.70
Passband Ripple	dB	-	0.50	1.00
Group Delay Variation	nsec	-	100	200
Absolute Delay	μsec	-	4.50	-
Ultimate Attenuation	dB	50	55	-
Substrate Material	-	112-LiTaO <sub>3</sub>		
Temperature Coefficient	ppm/°C	-20		

### Package Dimension



### Matching Configuration



L1 = L2 = 47nH, C1 = C2 = 43pF  
 Source / Load Impedance = 50Ω  
 Ambient Temperature = 25°C

Rev0. 070615

