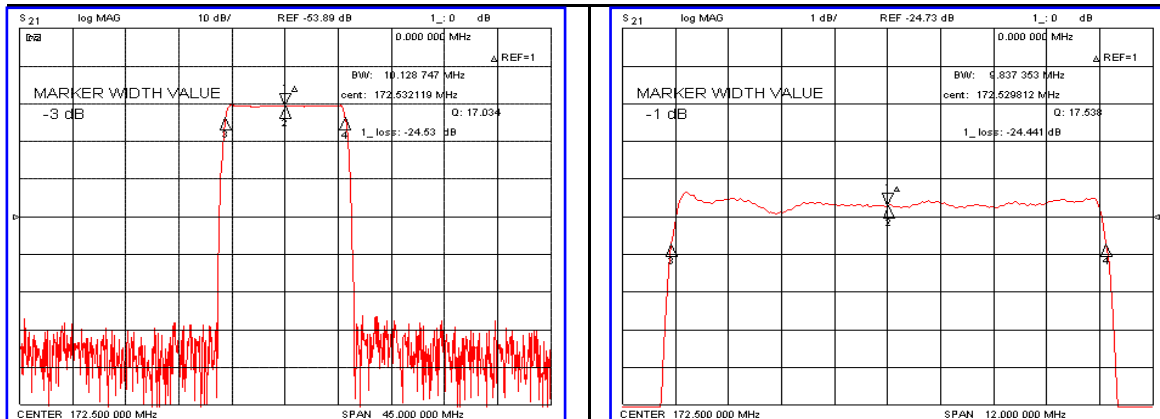


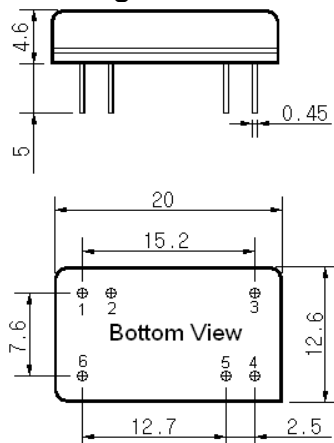
Typical Performance



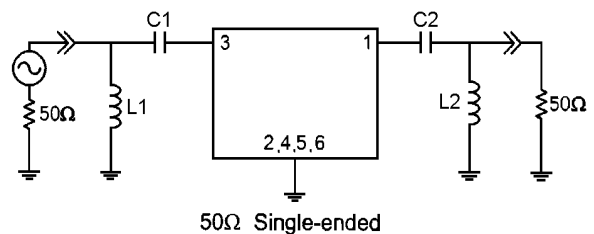
Specification

Parameter	Unit	Min.	Typ.	Max.
Center Frequency (Fc)	MHz	172.40	172.50	172.60
Insertion Loss	dB	-	24.60	26.00
1dB Bandwidth	MHz	-	9.83	-
3dB Bandwidth	MHz	10.00	10.12	-
25dB Bandwidth	MHz	-	11.11	11.20
35dB Bandwidth	MHz	-	11.31	-
Passband Ripple	dB	-	0.45	1.00
Group Delay Variation	nsec	-	50	100
Absolute Delay	μsec	-	2.82	-
Ultimate Attenuation	dB	50	55	-
Substrate Material	-	112-LiTaO ₃		
Temperature Coefficient	ppm/°C	-20		

Package Dimension



Matching Configuration



L1=27nH, L2=27nH, C1=110pF, C2=110pF
 Source / Load Impedance = 50Ω
 Ambient Temperature = 25°C

Rev1. 110117

