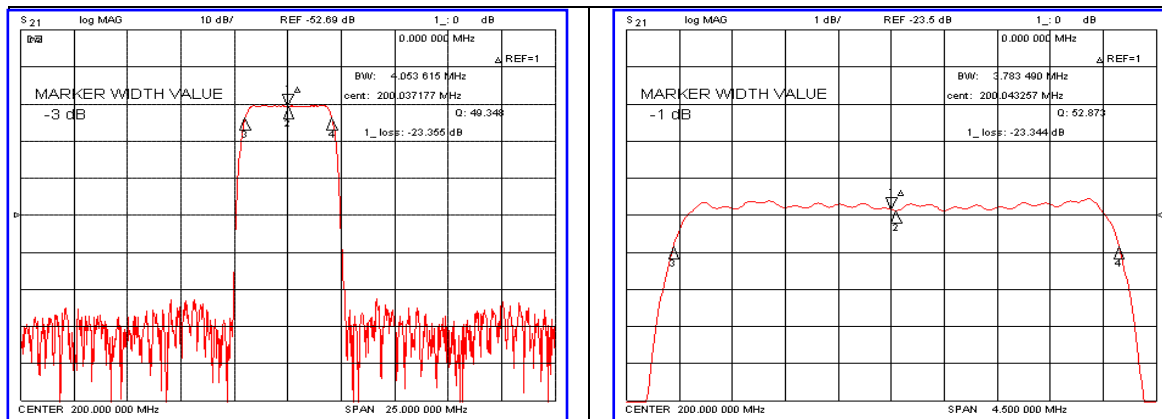


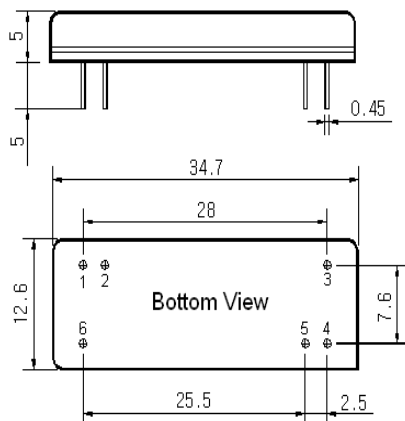
### Typical Performance



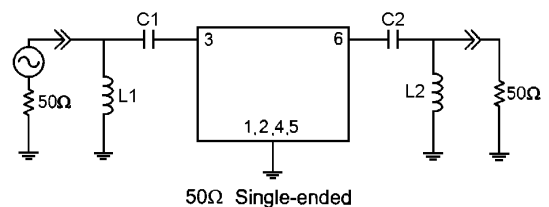
### Specification

Parameter	Unit	Min.	Typ.	Max.
Center Frequency	MHz	199.80	200.00	200.20
Insertion Loss	dB	-	23.50	25.00
1dB Bandwidth	MHz	-	3.78	-
3dB Bandwidth	MHz	3.90	4.05	-
40dB Bandwidth	MHz	-	5.01	-
50dB Bandwidth	MHz	-	5.18	5.40
Passband Ripple	dB	-	0.50	1.00
Group Delay Variation	nsec	-	100	200
Absolute Delay	μsec	-	2.59	-
Ultimate Attenuation	dB	50	55	-
Substrate Material	-	Quartz		
Temperature Coefficient	ppm/°C	-0.03		

### Package Dimension



### Matching Configuration



L1=15nH, L2=15nH, C1=180pF, C2=110pF  
 Source / Load Impedance = 50Ω  
 Ambient Temperature = 25°C

Rev0.070118

