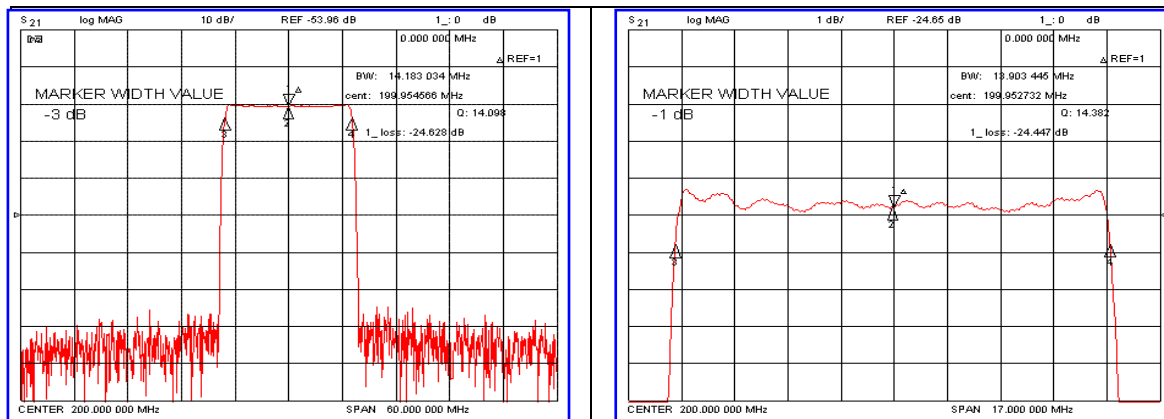


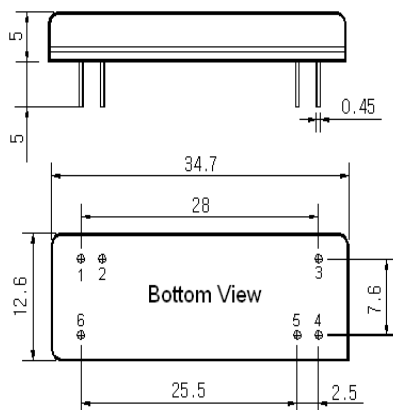
### Typical Performance



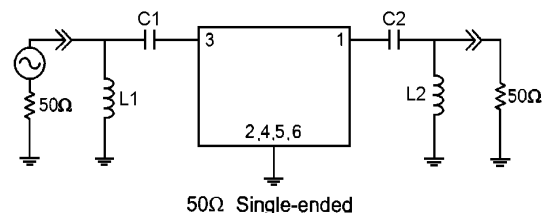
### Specification

Parameter	Unit	Min.	Typ.	Max.
Center Frequency	MHz	199.80	200.00	200.20
Insertion Loss	dB	-	24.50	26.00
1dB Bandwidth	MHz	-	13.90	-
3dB Bandwidth	MHz	14.00	14.18	-
40dB Bandwidth	MHz	-	15.40	-
50dB Bandwidth	MHz	-	15.51	15.70
Passband Ripple	dB	-	0.65	1.00
Group Delay Variation	nsec	-	70	150
Absolute Delay	μsec	-	3.14	-
Ultimate Attenuation	dB	50	55	-
Substrate Material	-	112-LiTaO <sub>3</sub>		
Temperature Coefficient	ppm/°C	-20		

### Package Dimension



### Matching Configuration



L1=18nH, L2=18nH, C1=43pF, C2=47pF  
 Source / Load Impedance = 50Ω  
 Ambient Temperature = 25°C

Rev0. 070118

