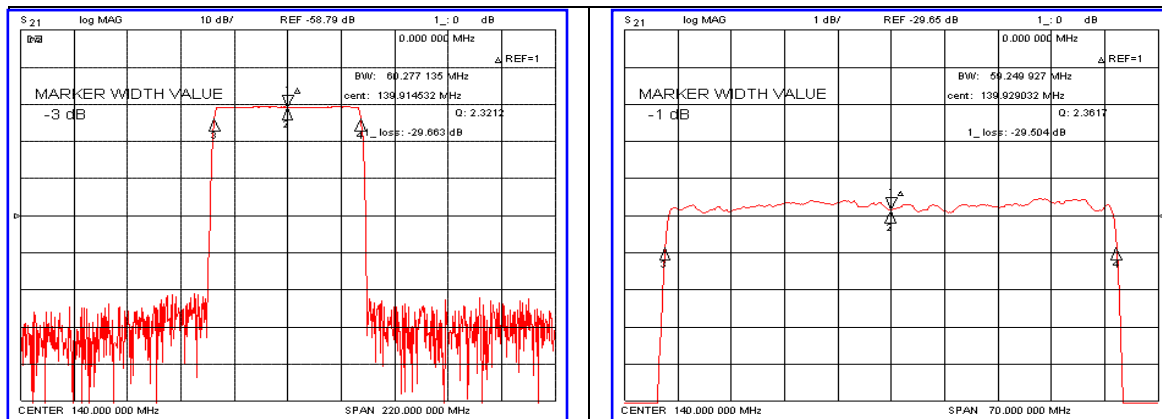


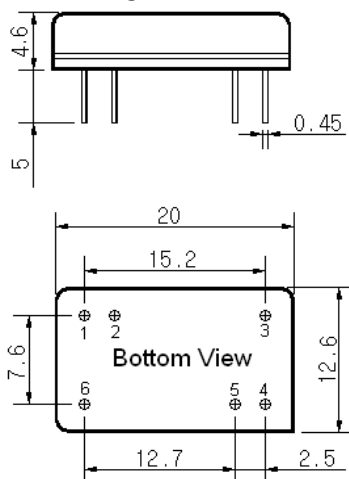
### Typical Performance



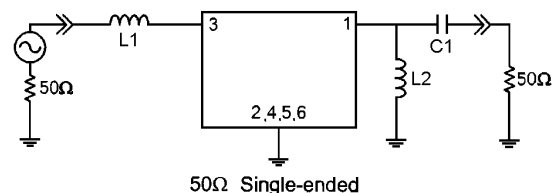
### Specification

Parameter	Unit	Min.	Typ.	Max.
Center Frequency	Mhz	139.85	140.00	140.15
Insertion Loss	dB	-	29.66	31.00
1dB Bandwidth	Mhz	-	59.24	-
3dB Bandwidth	Mhz	60.00	60.27	-
40dB Bandwidth	Mhz	-	64.80	65.20
Passband Ripple	dB	-	0.50	1.00
Group Delay Variation	nsec	-	20	50
Absolute Delay	µsec	-	0.90	-
Ultimate Attenuation	dB	48	52	-
Substrate Material	-	128-LN		
Temperature Coefficient	ppm/°C	-72		

### Package Dimension



### Matching Configuration



L1=56nH, L2=68nH, C1=33pF  
 Source / Load Impedance = 50Ω  
 Ambient Temperature = 25°C

Rev 0. 070518

