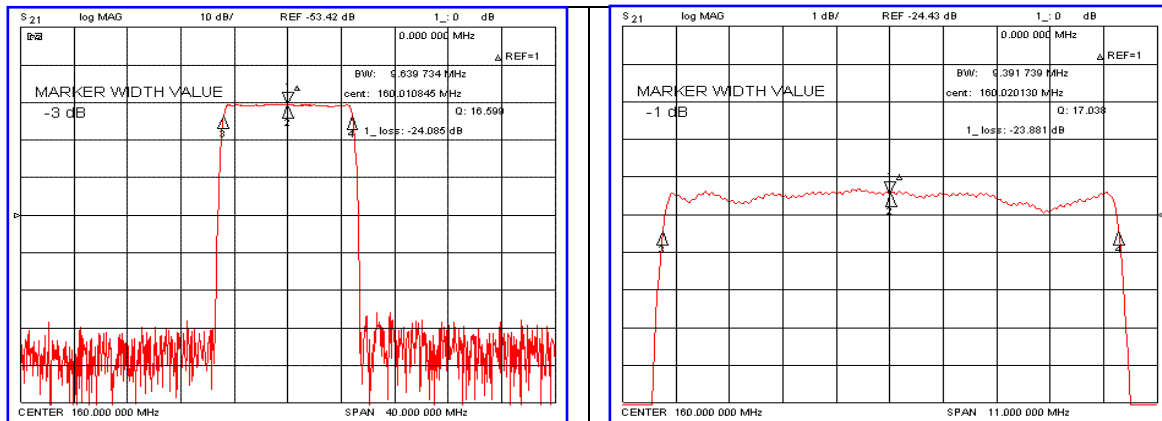


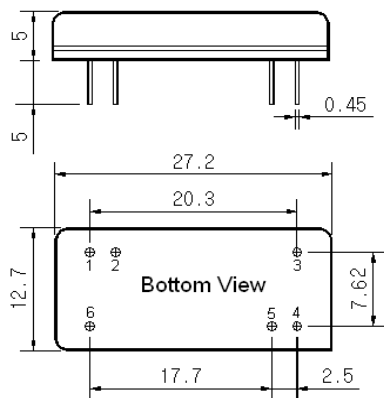
Typical Performance



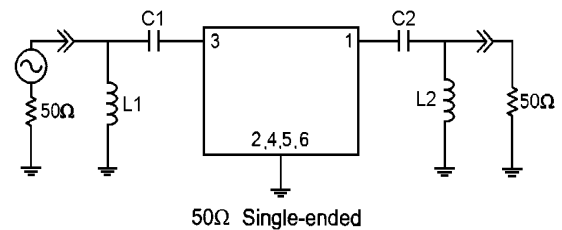
Specification

Parameter	Unit	Min.	Typ.	Max.
Center Frequency	MHz	159.85	160.00	160.15
Insertion Loss	dB	-	24.10	26.00
1dB Bandwidth	MHz	-	9.39	-
3dB Bandwidth	MHz	9.50	9.63	-
50dB Bandwidth	MHz	-	10.72	10.85
Passband Ripple	dB	-	0.65	1.00
Group Delay Variation	nsec	-	50	100
Absolute Delay	µsec	-	3.63	-
Ultimate Attenuation	dB	50	55	-
Substrate Material	-	112-LiTaO ₃		
Temperature Coefficient	ppm/°C	-20		

Package Dimension



Matching Configuration



L1=18nH, L2=22nH, C1= C2=150pF
 Source / Load Impedance = 50Ω
 Ambient Temperature = 25°C

