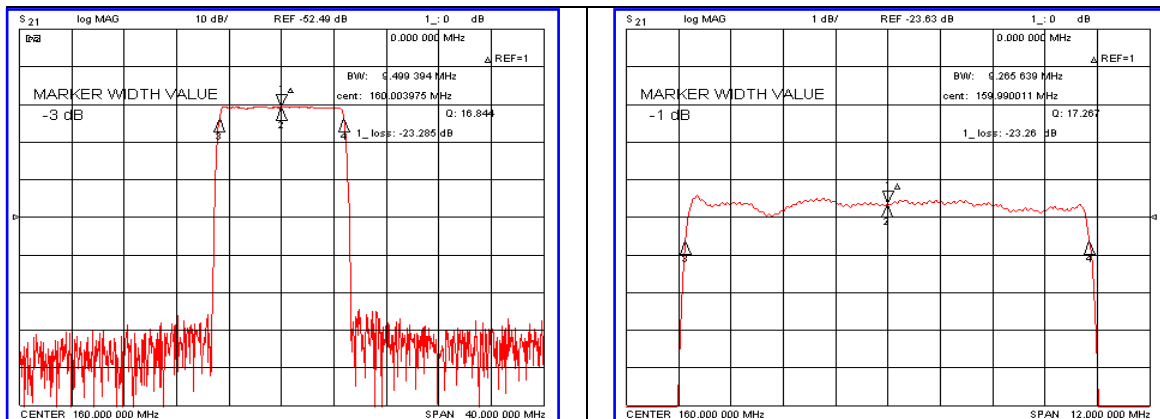


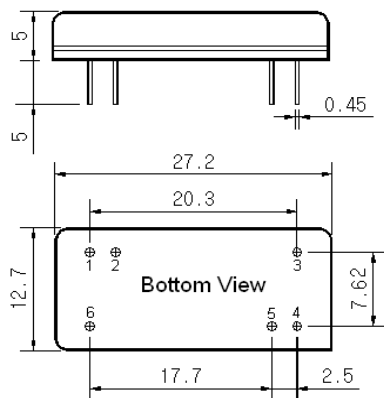
Typical Performance



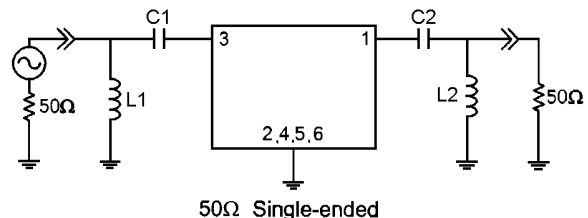
Specification

Parameter	Unit	Min.	Typ.	Max.
Center Frequency	MHz	159.85	160.00	160.15
Insertion Loss	dB	-	23.28	25.50
1dB Bandwidth	MHz	-	9.26	-
3dB Bandwidth	MHz	9.40	9.49	-
50dB Bandwidth	MHz	-	10.53	10.62
Passband Ripple	dB	-	0.55	1.00
Group Delay Variation	nsec	-	60	100
Absolute Delay	μsec	-	3.67	-
Ultimate Attenuation	dB	50	55	-
Substrate Material	-	112-LiTaO ₃		
Temperature Coefficient	ppm/°C ²	-20		

Package Dimension



Matching Configuration



L1=22nH, L2=22nH, C1=C2=110pF
 Source / Load Impedance = 50Ω
 Ambient Temperature = 25°C

Rev0. 070831

