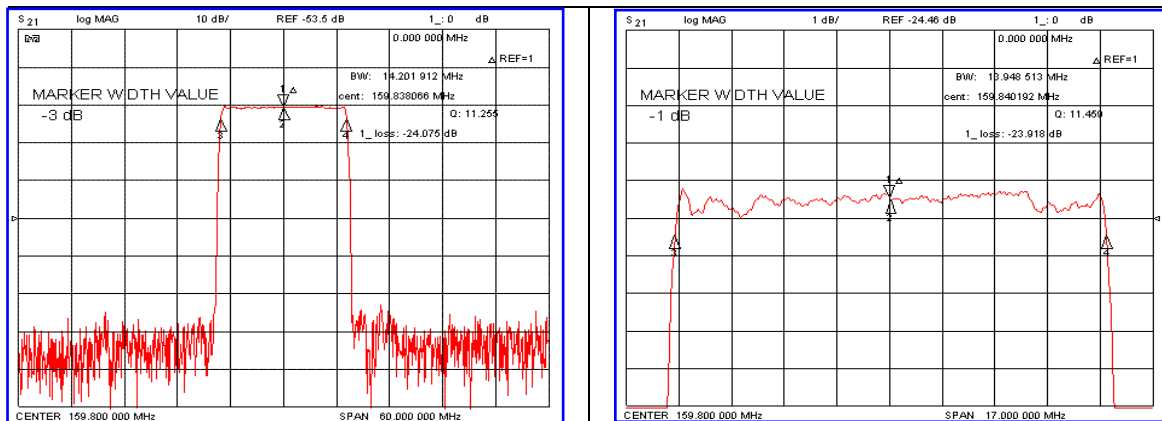


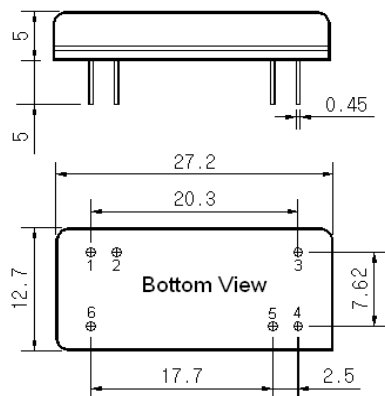
### Typical Performance



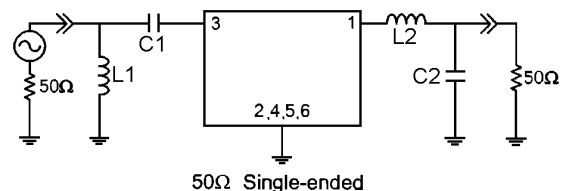
### Specification

Parameter	Unit	Min.	Typ.	Max.
Center Frequency	MHz	159.70	159.80	159.95
Insertion Loss	dB	-	24.00	25.00
1dB Bandwidth	MHz	-	13.94	-
3dB Bandwidth	MHz	14.10	14.20	-
50dB Bandwidth	MHz	-	15.40	15.60
Passband Ripple( $F_c \pm 6.875$ MHz)	dB	-	0.88	1.20
Group Delay Variation	nsec	-	100	200
Absolute Delay	$\mu$ sec	-	2.80	-
Ultimate Attenuation	dB	50	52	-
Relative Attenuation( $F_c \pm 7.875$ MHz)	dB	-	55	-
Substrate Material	-	128-LiNbO <sub>3</sub>		
Temperature Coefficient	ppm/ $^{\circ}$ C	-72		

### Package Dimension



### Matching Configuration



L1=47nH, L2=18nH, C1=68pF, C2=10pF  
 Source / Load Impedance = 50 $\Omega$   
 Ambient Temperature = 25 $^{\circ}$ C

Rev0. 070905

