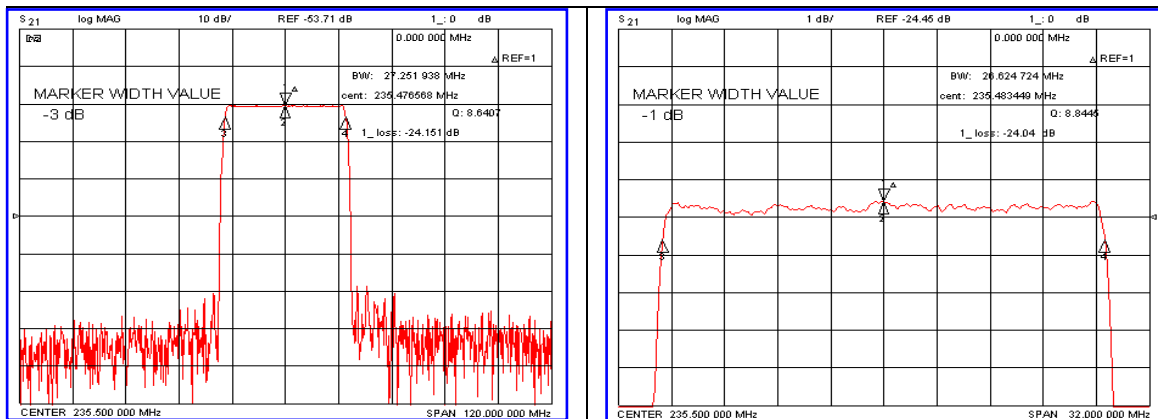


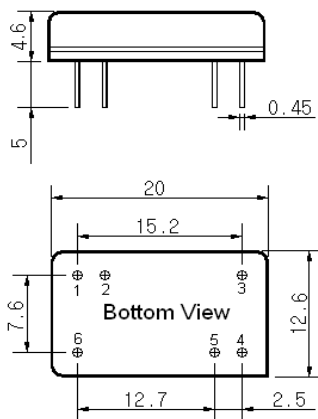
Typical Performance



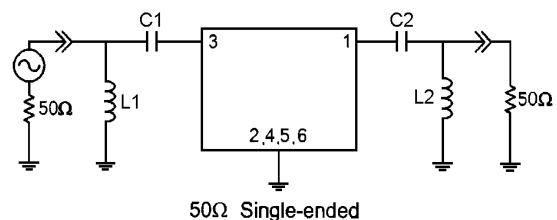
Specification

Parameter	Unit	Min.	Typ.	Max.
Center Frequency	MHz	235.30	235.50	235.70
Insertion Loss	dB	-	24.15	26.00
1dB Bandwidth	MHz	-	26.62	-
3dB Bandwidth	MHz	27.00	27.25	-
40dB Bandwidth	MHz	-	29.74	29.90
Passband Ripple	dB	-	0.45	1.00
Group Delay Variation	nsec	-	50	100
Absolute Delay	µsec	-	1.30	-
Ultimate Attenuation	dB	40	47	-
Substrate Material	-	128-LiNbO ₃		
Temperature Coefficient	ppm/°C ²	-72		

Package Dimension



Matching Configuration



L1=L2=56nH, C1=C2=24pF
 Source / Load Impedance = 50Ω
 Ambient Temperature = 25°C

