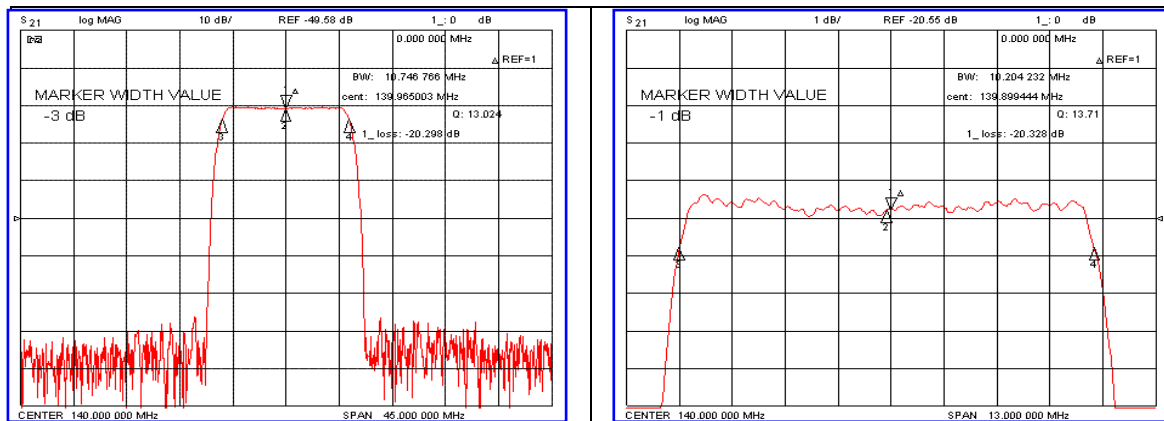


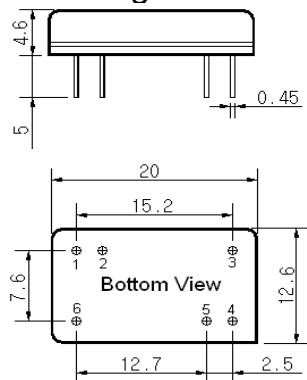
Typical Performance



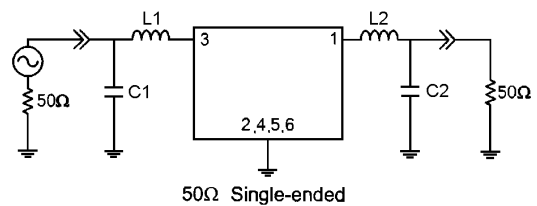
Specification

Parameter	Unit	Min.	Typ.	Max.
Center Frequency	MHz	139.85	140.00	140.15
Insertion Loss	dB	-	20.50	24.00
1dB Bandwidth	MHz	10.00	10.20	-
3dB Bandwidth	MHz	10.40	10.74	-
50dB Bandwidth	MHz	-	13.20	13.50
Passband Ripple	dB	-	0.60	1.00
Group Delay Variation	nsec	-	50	100
Absolute Delay	µsec	-	1.45	1.60
Ultimate Attenuation	dB	50	55	-
Relative Attenuation				
120 ~ 133.25MHz	dB	50	55	-
146.75 ~ 160MHz	dB	50	55	-
Substrate Material	-	Yz-LiNbO ₃		
Temperature Coefficient	ppm/°C	-94		

Package Dimension



Matching Configuration



L1=L2=15nH, C1=C2=12pF
 Source / Load Impedance = 50Ω
 Ambient Temperature = 25°C

Rev.0 070912

