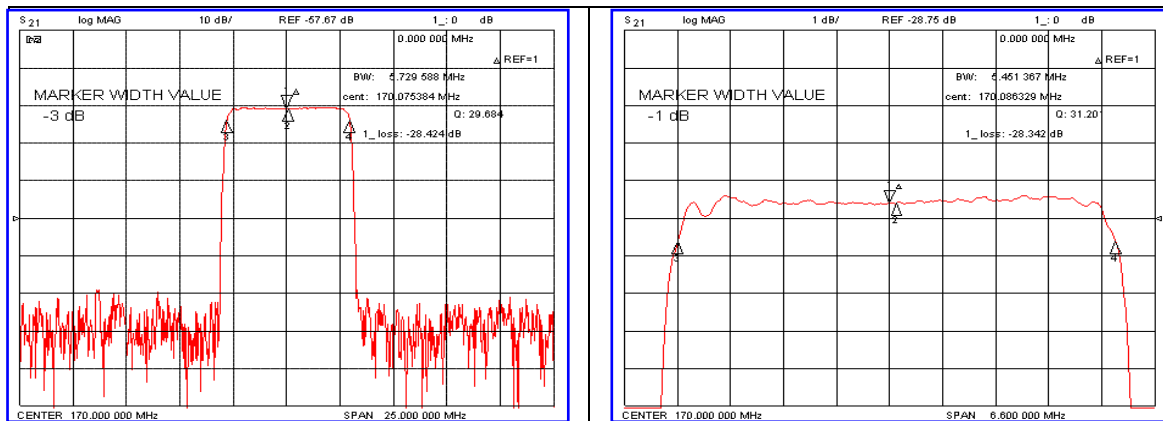


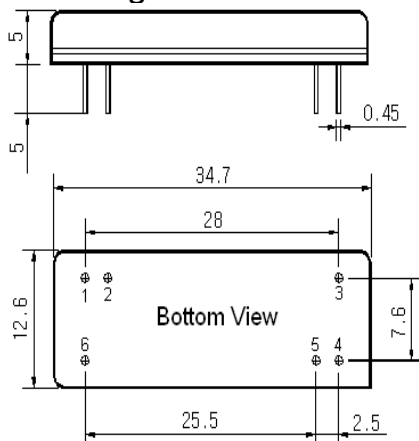
### Typical Performance



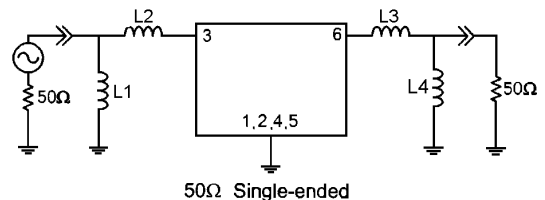
### Specification

Parameter	Unit	Min.	Typ.	Max.
Center Frequency	MHz	169.85	170.00	170.15
Insertion Loss	dB	-	28.50	29.50
1dB Bandwidth	MHz	5.35	5.45	-
3dB Bandwidth	MHz	-	5.72	-
36dB Bandwidth	MHz	-	6.28	6.35
40dB Bandwidth	MHz	-	6.31	-
Passband Ripple	dB	-	0.70	1.20
Group Delay Variation	nsec	-	100	200
Absolute Delay	μsec	-	4.17	-
Ultimate Attenuation	dB	45	48	-
Substrate Material	-	Quartz		
Temperature Coefficient	ppm/°C	-0.03		

### Package Dimension



### Matching Configuration



**L1=18nH, L2=2.2nH, L3=8.2nH, L4=12nH**  
 Source / Load Impedance = 50Ω  
 Ambient Temperature = 25°C

Rev0.070612

