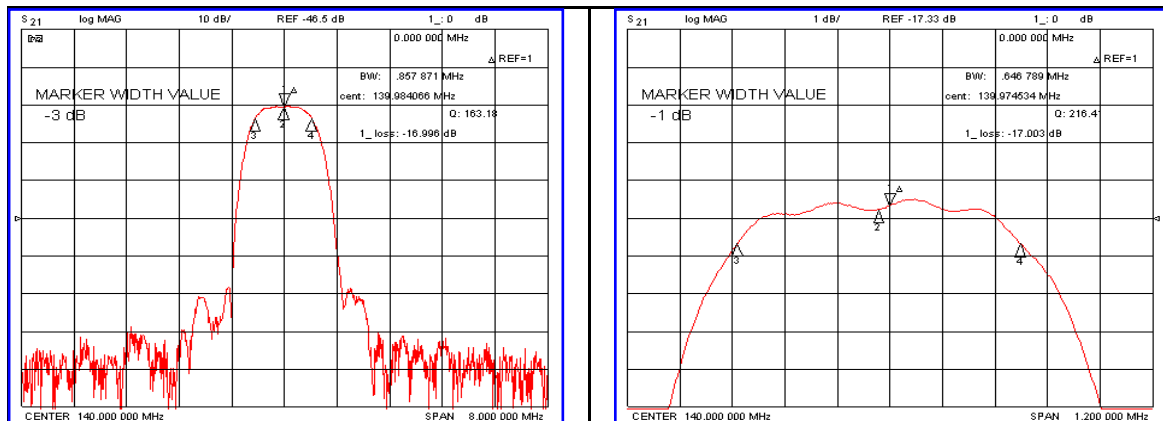


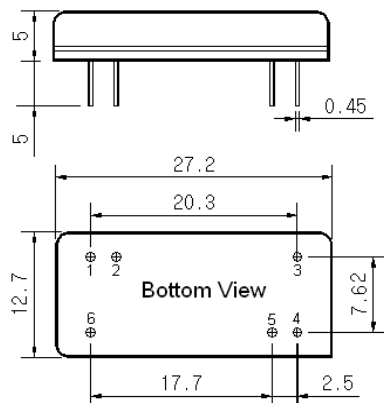
Typical Performance



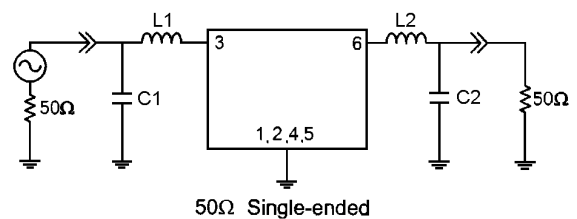
Specification

Parameter	Unit	Min.	Typ.	Max.
Center Frequency	MHz	139.90	140.00	140.10
Insertion Loss	dB	-	17.00	20.00
1dB Bandwidth	MHz	-	0.64	-
3dB Bandwidth	MHz	0.75	0.85	-
25dB Bandwidth	MHz	-	1.43	1.50
40dB Bandwidth	MHz	-	1.58	-
Passband Ripple	dB	-	0.55	1.00
Group Delay Variation	nsec	-	250	350
Absolute Delay	µsec	-	2.83	-
Ultimate Attenuation	dB	45	49	-
Substrate Material	-	Quartz		
Temperature Coefficient	ppm/°C	-0.03		

Package Dimension



Matching Configuration



L1=47nH, L2=27nH, C1=C2=47pF
 Source / Load Impedance = 50Ω
 Ambient Temperature = 25°C

Rev0. 071012

