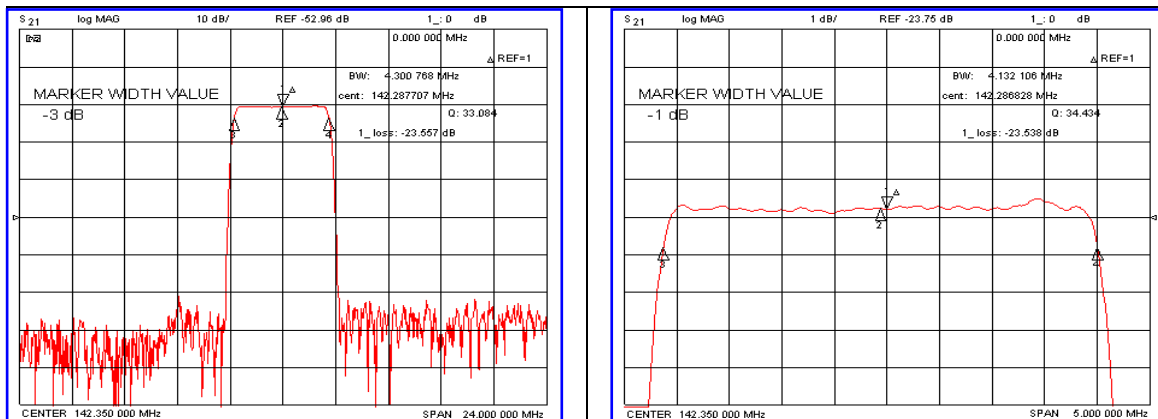


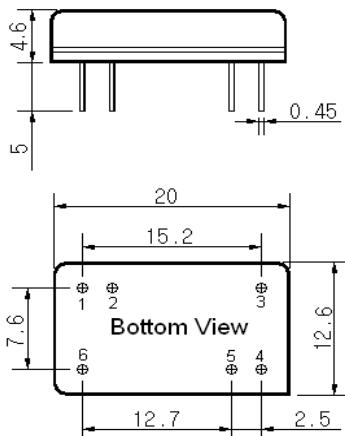
Typical Performance



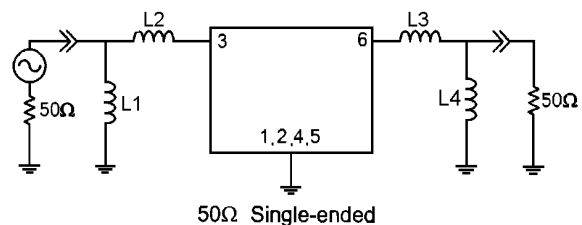
Specification

Parameter	Unit	Min.	Typ.	Max.
Center Frequency	MHz	-	142.35	-
Insertion Loss	dB	-	23.55	25.00
1dB Bandwidth	MHz	4.00	4.13	-
3dB Bandwidth	MHz	-	4.30	-
20dB Bandwidth	MHz	-	4.79	-
40dB Bandwidth	MHz	-	5.00	5.10
Passband Ripple($F_c \pm 1.92\text{MHz}$)	dB	-	0.50	1.00
Group Delay Variation($F_c \pm 1.92\text{MHz}$)	nsec	-	110	200
Absolute Delay	μsec	-	2.66	-
Ultimate Attenuation	dB	45	50	-
Substrate Material	-	Quartz		
Temperature Coefficient	ppm/ $^{\circ}\text{C}$	-0.03		

Package Dimension



Matching Configuration



L1=27nH, L2=22nH, L3=L4=18nH
 Source / Load Impedance = 50 Ω
 Ambient Temperature = 25 $^{\circ}\text{C}$

Rev0. 070928

