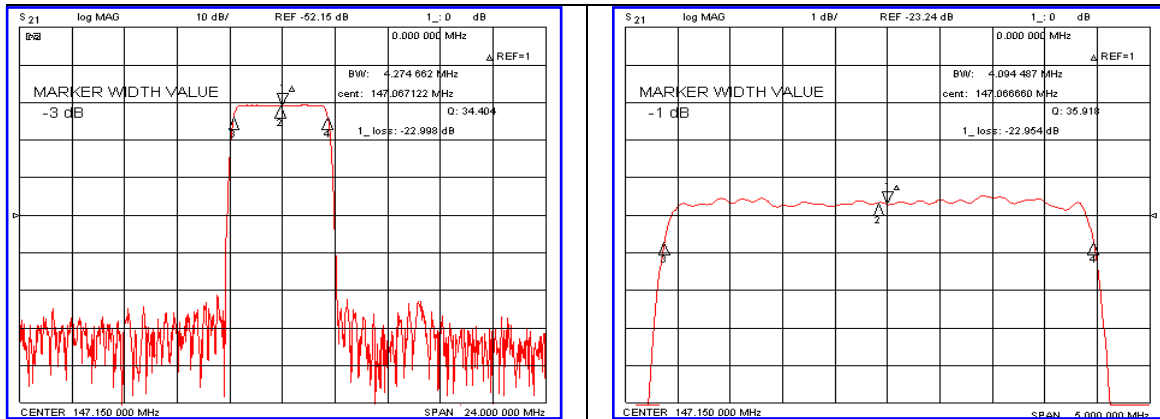


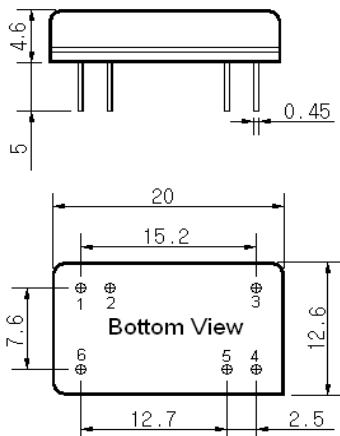
### Typical Performance



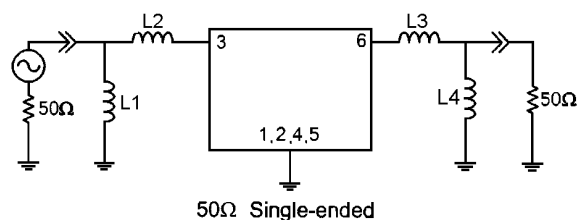
### Specification

Parameter	Unit	Min.	Typ.	Max.
Center Frequency	MHz	-	147.10	-
Insertion Loss	dB	-	22.99	25.00
1dB Bandwidth	MHz	4.00	4.09	-
3dB Bandwidth	MHz	-	4.27	-
20dB Bandwidth	MHz	-	4.78	-
40dB Bandwidth	MHz	-	5.00	5.10
Passband Ripple( $F_c \pm 1.92\text{MHz}$ )	dB	-	0.77	1.00
Group Delay Variation( $F_c \pm 1.92\text{MHz}$ )	nsec	-	120	200
Absolute Delay	$\mu\text{sec}$	-	2.63	-
Ultimate Attenuation	dB	45	50	-
Substrate Material	-	Quartz		
Temperature Coefficient	$\text{ppm}/^\circ\text{C}^2$	-0.03		

### Package Dimension



### Matching Configuration



L1=22nH, L2=18nH, L3=L4=15nH  
 Source / Load Impedance = 50 $\Omega$   
 Ambient Temperature = 25 $^\circ\text{C}$

Rev0. 070928

