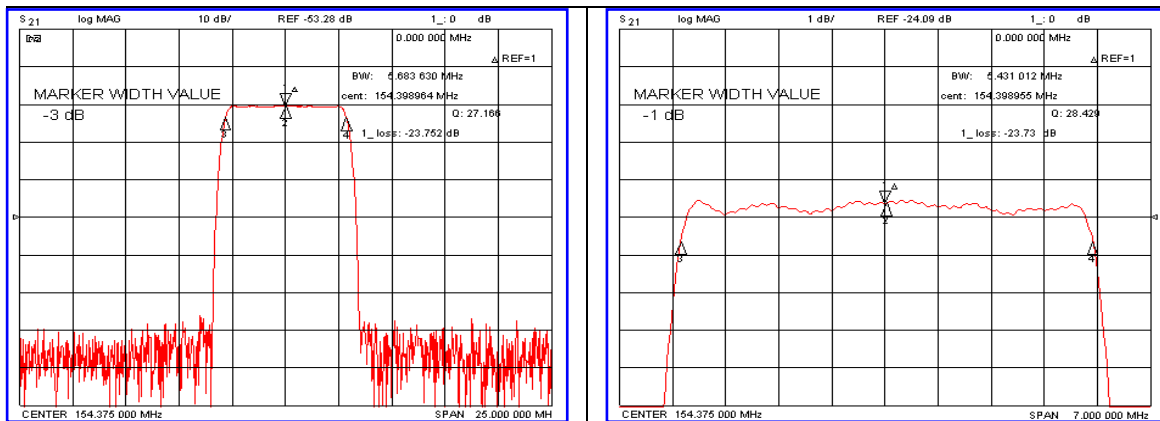


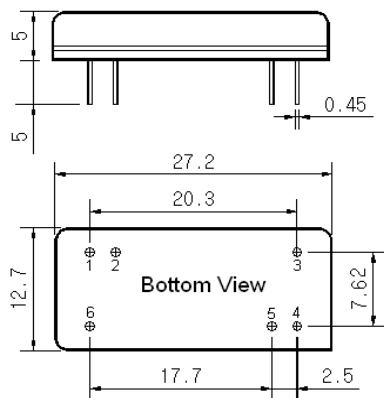
Typical Performance



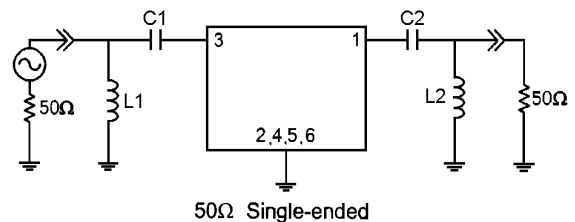
Specification

Parameter	Unit	Min.	Typ.	Max.
Center Frequency	MHz	154.225	154.375	154.525
Insertion Loss	dB	-	23.80	25.00
1dB Bandwidth	MHz	-	5.43	-
3dB Bandwidth	MHz	5.50	5.68	-
50dB Bandwidth	MHz	-	6.85	7.00
Passband Ripple	dB	-	0.45	1.00
Group Delay Variation	nsec	-	70	150
Absolute Delay	µsec	-	3.56	-
Ultimate Attenuation	dB	50	55	-
Substrate Material	-	112-LiTaO ₃		
Temperature Coefficient	ppm/°C ²	-20		

Package Dimension



Matching Configuration



L1=L2=33nH, C1=C2=51pF
 Source / Load Impedance = 50Ω
 Ambient Temperature = 25°C

Rev.0 070706

