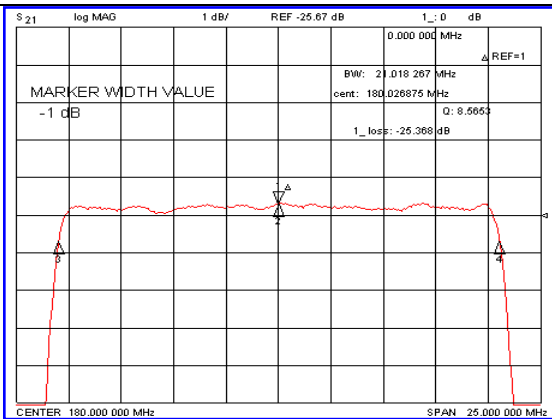
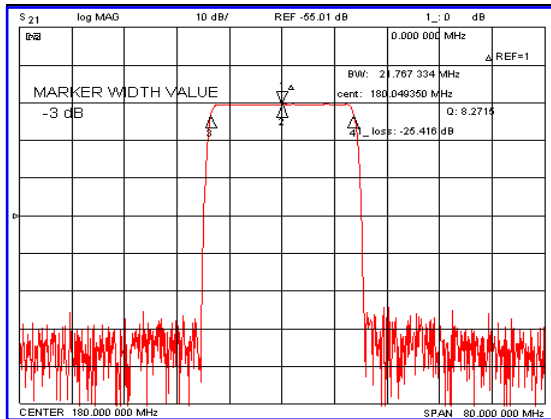


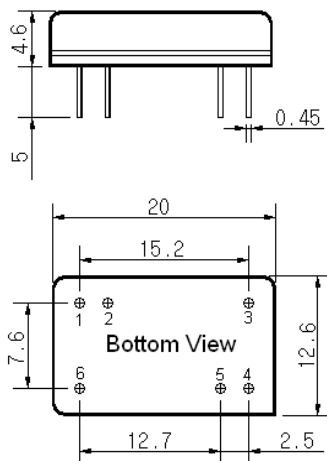
Typical Performance



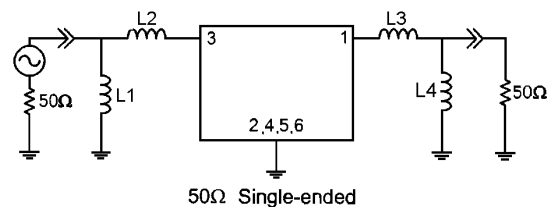
Specification

Parameter	Unit	Min.	Typ.	Max.
Center Frequency	MHz	179.85	180.00	180.15
Insertion Loss	dB	-	25.50	27.00
1dB Bandwidth	MHz	-	21.01	-
3dB Bandwidth	MHz	21.60	21.76	-
40dB Bandwidth	MHz	-	24.37	24.50
Passband Ripple	dB	-	0.34	1.00
Group Delay Variation	nsec	-	20	50
Absolute Delay	µsec	-	2.14	-
Ultimate Attenuation	dB	50	53	-
Substrate Material	-	112-LiTaO ₃		
Temperature Coefficient	ppm/°C	-20		

Package Dimension



Matching Configuration



L1=22nH, L2=8.2nH, L3=10nH, L4=18nH
 Source / Load Impedance = 50Ω
 Ambient Temperature = 25°C

Rev0. 070916

