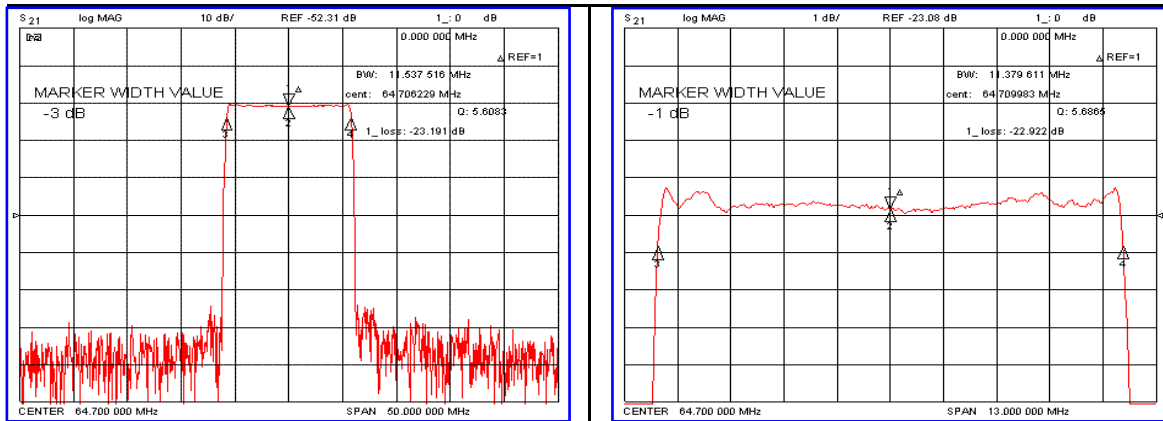


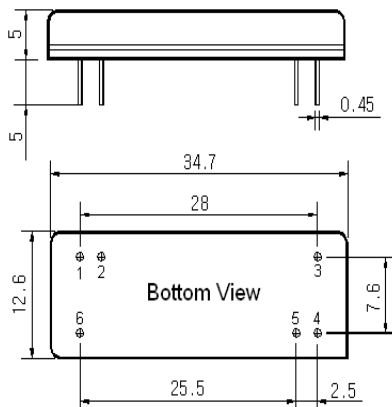
Typical Performance



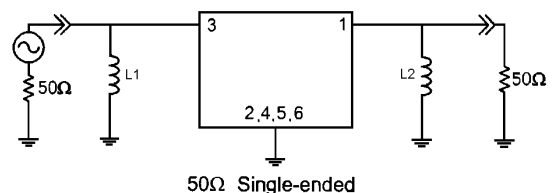
Specification

Parameter	Unit	Min.	Typ.	Max.
Center Frequency (Fc)	MHz	64.62	64.70	64.78
Insertion Loss	dB	-	23.50	25.00
1dB Bandwidth	MHz	-	11.37	-
3dB Bandwidth	MHz	11.40	11.53	-
15dB Bandwidth	MHz	-	11.95	12.00
40dB Bandwidth	MHz	-	12.30	12.50
Passband Ripple(Fc±5.5MHz)	dB	-	0.70	1.00
Group Delay Variation(Fc±5.5MHz)	nsec	-	100	200
Absolute Delay	µsec	-	3.87	-
Ultimate Attenuation	dB	50	55	-
Substrate Material	-	128-LiNbO ₃		
Temperature Coefficient	ppm/°C	-72		

Package Dimension



Matching Configuration



L1= 220nH,L2=270nH
 Source / Load Impedance = 50Ω
 Ambient Temperature = 25°C

11/14/2006

