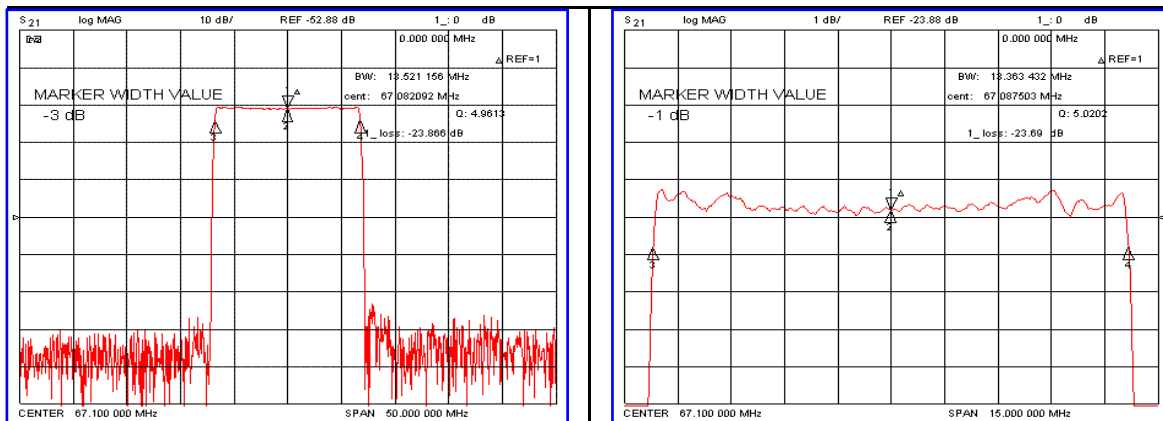


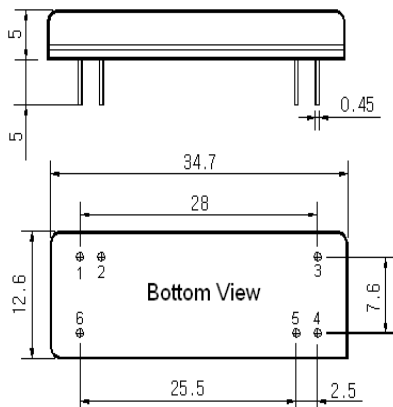
Typical Performance



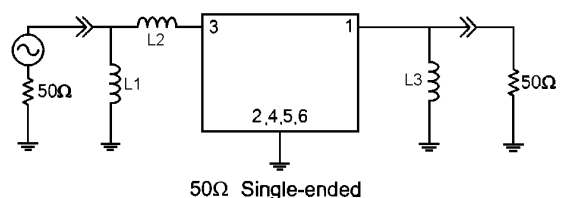
Specification

Parameter	Unit	Min.	Typ.	Max.
Center Frequency (Fc)	MHz	67.02	67.10	67.18
Insertion Loss	dB	-	24.00	26.00
1dB Bandwidth	MHz	-	13.36	-
3dB Bandwidth	MHz	13.40	13.52	-
15dB Bandwidth	MHz	-	13.92	14.00
40dB Bandwidth	MHz	-	14.25	14.50
Passband Ripple(Fc±6.5MHz)	dB	-	0.75	1.00
Group Delay Variation(Fc±6.5MHz)	nsec	-	100	200
Absolute Delay	µsec	-	3.91	-
Ultimate Attenuation	dB	50	55	-
Substrate Material	-	128-LiNbO ₃		
Temperature Coefficient	ppm/°C	-72		

Package Dimension



Matching Configuration



L1= L3=220nH, L2=22nH
 Source / Load Impedance = 50Ω
 Ambient Temperature = 25°C

11/14/2006

