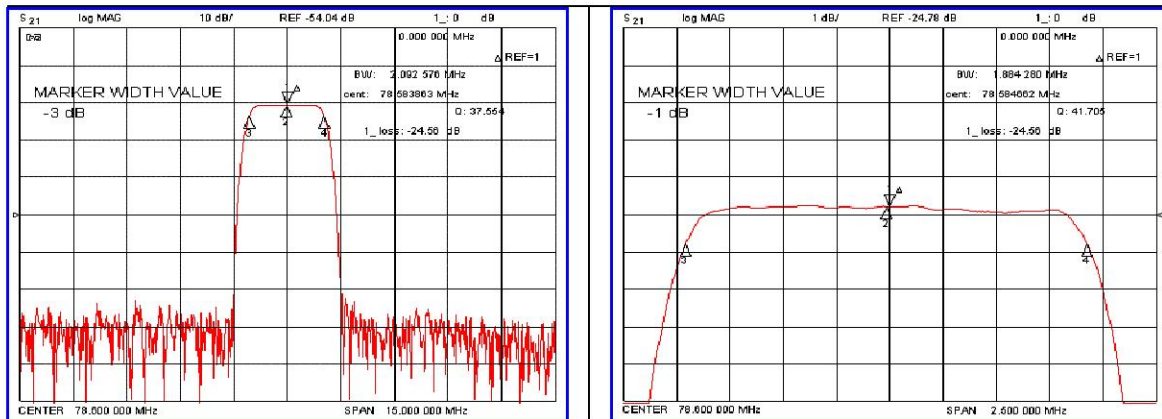


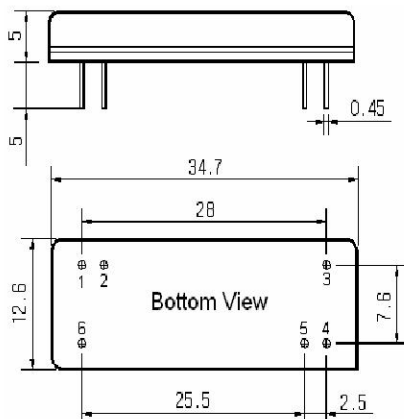
## Typical Performance



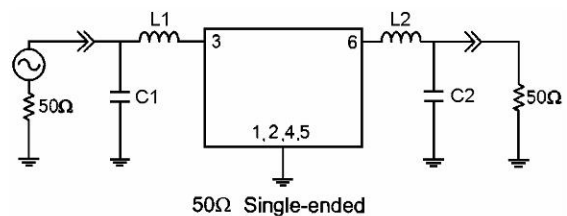
## Specification

Parameter	Unit	Min.	Typ.	Max.
Center Frequency (Fc)	MHz	78.52	78.60	78.68
Insertion Loss	dB	-	24.50	26.00
1dB Bandwidth	MHz	-	1.88	-
3dB Bandwidth	MHz	1.90	2.09	-
15dB Bandwidth	MHz	-	2.55	2.60
40dB Bandwidth	MHz	-	2.92	3.10
Passband Ripple(Fc±0.8MHz)	dB	-	0.50	1.00
Group Delay Variation(Fc±0.8MHz)	nsec	-	100	200
Absolute Delay	µsec	-	3.0	-
Ultimate Attenuation	dB	48	53	-
Substrate Material	-	<b>Quartz</b>		
Temperature Coefficient	ppm/°C	-0.03		

## Package Dimension



## Matching Configuration



L1= 270nH, L2=220nH, C1=C2=30pF  
 Source / Load Impedance = 50Ω  
 Ambient Temperature = 25°C

11/14/2006

