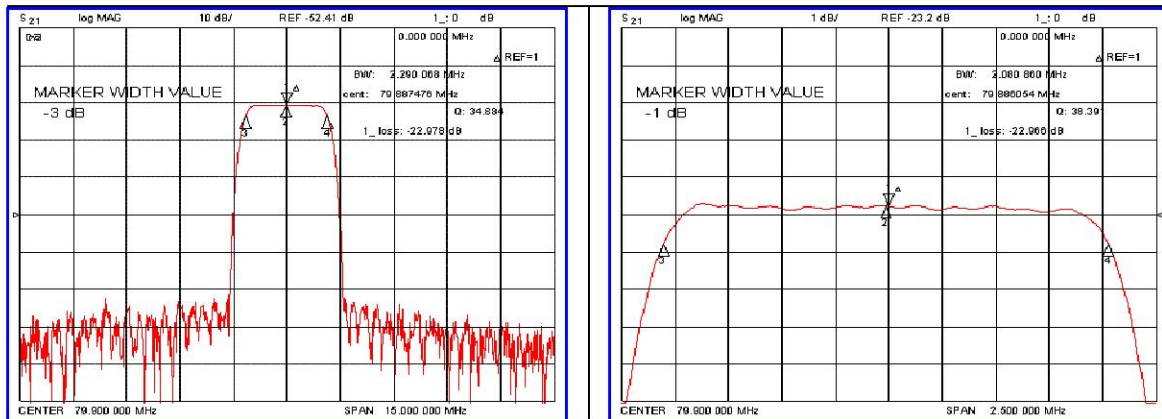


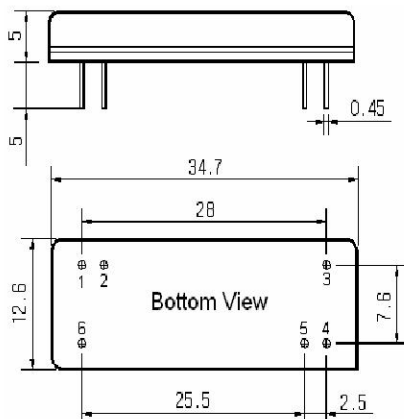
Typical Performance



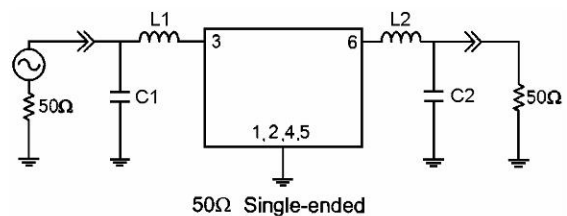
Specification

Parameter	Unit	Min.	Typ.	Max.
Center Frequency (Fc)	MHz	79.82	79.90	79.98
Insertion Loss	dB	-	23.00	25.00
1dB Bandwidth	MHz	-	2.08	-
3dB Bandwidth	MHz	2.10	2.29	-
15dB Bandwidth	MHz	-	2.75	2.80
40dB Bandwidth	MHz	-	3.10	3.30
Passband Ripple(Fc±0.9MHz)	dB	-	0.50	1.00
Group Delay Variation(Fc±0.9MHz)	nsec	-	100	200
Absolute Delay	µsec	-	2.93	-
Ultimate Attenuation	dB	48	53	-
Substrate Material	-	Quartz		
Temperature Coefficient	ppm/°C	-0.03		

Package Dimension



Matching Configuration



L1= L2=220nH, C1=C2=56pF
 Source / Load Impedance = 50Ω
 Ambient Temperature = 25°C

11/14/2006

