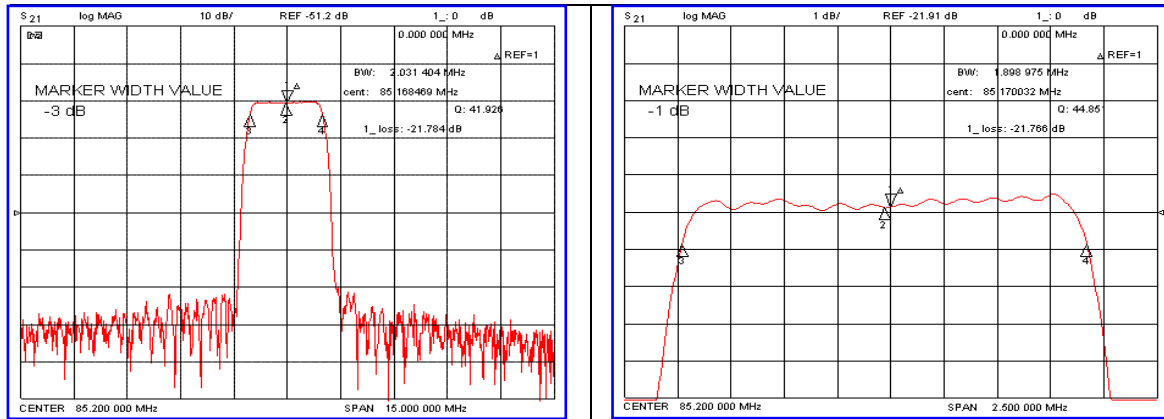


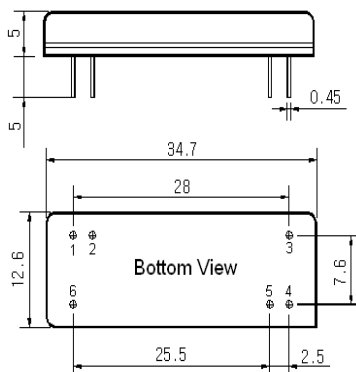
Typical Performance



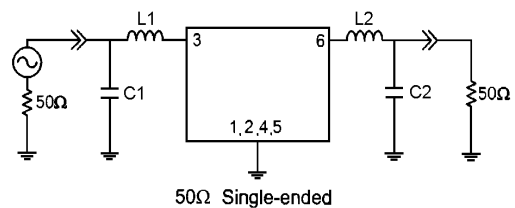
Specification

Parameter	Unit	Min.	Typ.	Max.
Center Frequency	MHz	85.12	85.20	85.28
Insertion Loss	dB	-	22.00	24.00
1dB Bandwidth	MHz	-	1.89	-
3dB Bandwidth	MHz	1.90	2.03	-
Passband Ripple	dB	-	0.55	1.00
Absolute Delay	μsec	-	3.51	-
Out of Band Gain				
1dB @ ± 400KHz	dB	25	40	-
1dB @ ± 600KHz	dB	35	50	-
1dB @ ± 1.0MHz	dB	40	50	-
1dB @ ± 5.0MHz	dB	50	55	-
Substrate Material	-	Quartz		
Temperature Coefficient	ppm/°C ²	-0.03		

Package Dimension



Matching Configuration



L1=180nH, L2=180nH, C1=68pF, C2=68pF
 Source / Load Impedance = 50Ω
 Ambient Temperature = 25°C

12/06/2006

