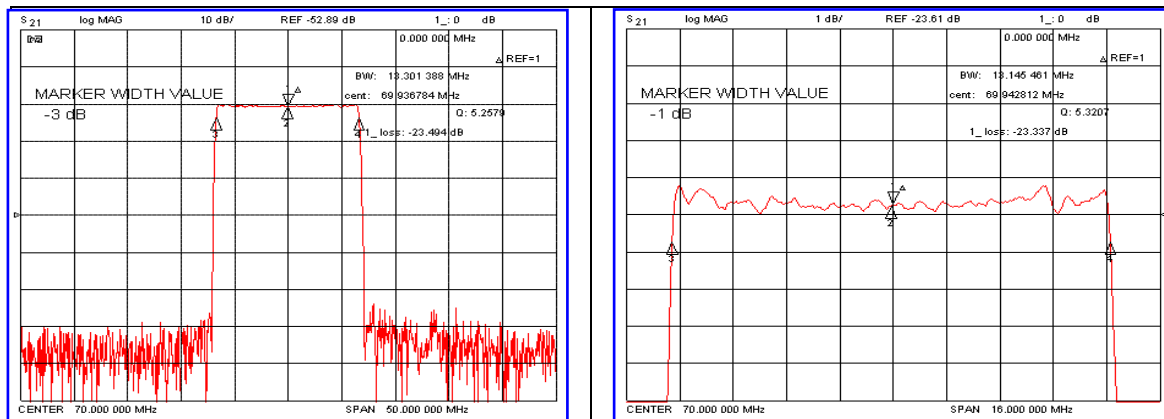


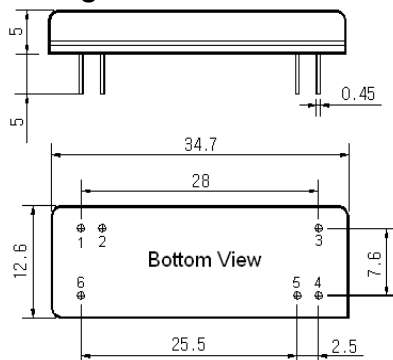
### Typical Performance



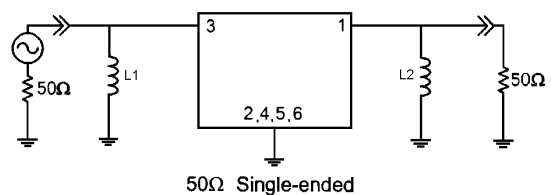
### Specification

Parameter	Unit	Min.	Typ.	Max.
Center Frequency	MHz	69.92	70.00	70.08
Insertion Loss	dB	-	23.50	25.00
1dB Bandwidth	MHz	-	13.14	-
3dB Bandwidth	MHz	13.20	13.30	-
Passband Ripple	dB	-	0.75	1.00
Absolute Delay	μsec	-	3.71	-
<b>Out of Band Gain</b>				
1dB @ ± 400KHz	dB	25	26.6	-
1dB @ ± 600KHz	dB	35	50	-
1dB @ ± 1.0MHz	dB	40	50	-
1dB @ ± 5.0MHz	dB	50	55	-
Substrate Material	-	128-LiNbO <sub>3</sub>		
Temperature Coefficient	ppm/°C <sup>2</sup>	-72		

### Package Dimension



### Matching Configuration



L1=220nH, L2=220nH  
 Source / Load Impedance = 50Ω  
 Ambient Temperature = 25°C

12/06/2006

