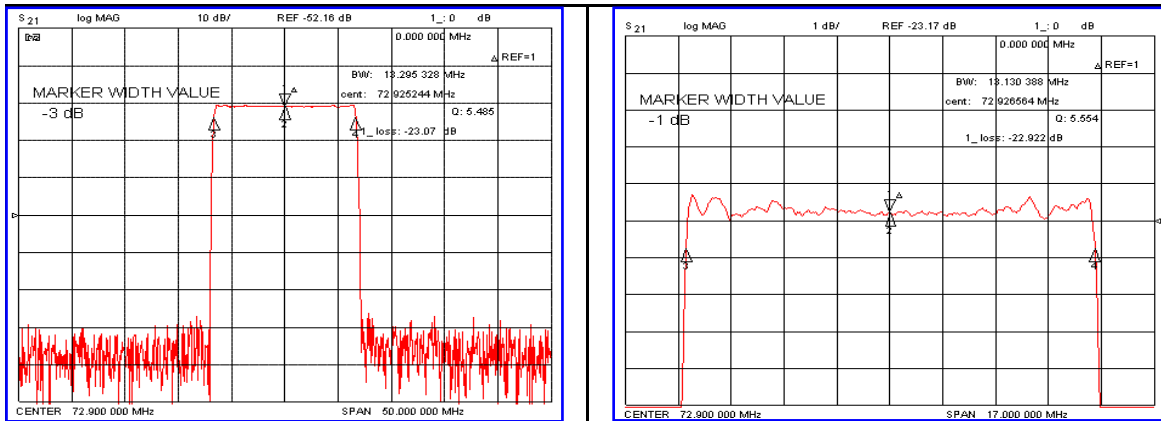


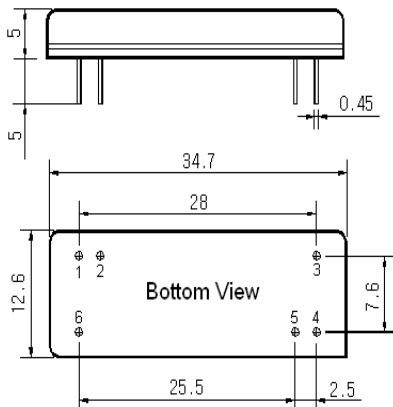
Typical Performance



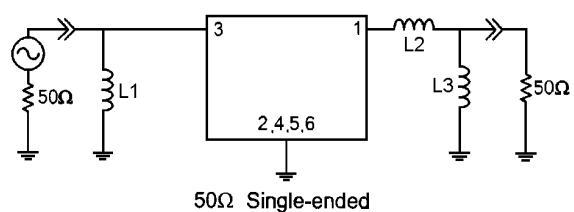
Specification

Parameter	Unit	Min.	Typ.	Max.
Center Frequency (Fc)	MHz	72.82	72.90	72.98
Insertion Loss	dB	-	23.50	25.00
1dB Bandwidth	MHz	13.00	13.13	-
3dB Bandwidth	MHz	-	13.29	-
15dB Bandwidth	MHz	-	13.69	13.80
40dB Bandwidth	MHz	-	14.01	14.20
Passband Ripple	dB	-	0.70	1.00
Group Delay Variation	nsec	-	100	200
Absolute Delay	μsec	-	3.86	-
Ultimate Attenuation	dB	50	55	-
Substrate Material	-	128-LiNbO ₃		
Temperature Coefficient	ppm/°C	-72		

Package Dimension



Matching Configuration



L1= 220nH, L2=2.2nH, L3=220nH
 Source / Load Impedance = 50Ω
 Ambient Temperature = 25°C

Rev0.061213

