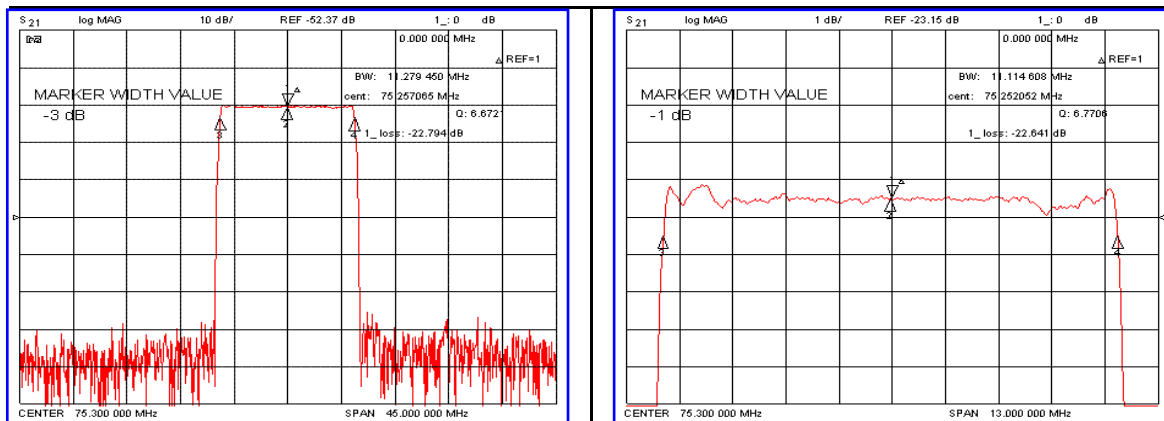


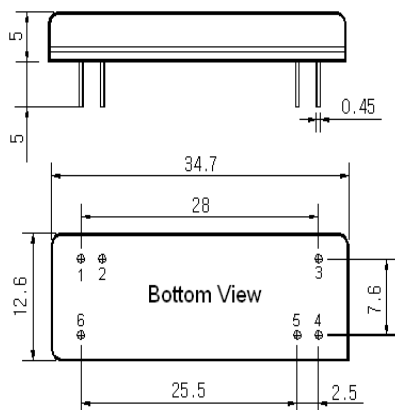
Typical Performance



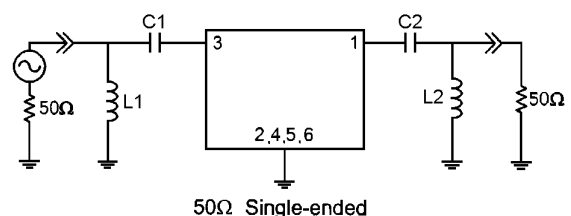
Specification

Parameter	Unit	Min.	Typ.	Max.
Center Frequency (Fc)	MHz	75.22	75.30	75.38
Insertion Loss	dB	-	23.00	25.00
1dB Bandwidth	MHz	11.00	11.11	-
3dB Bandwidth	MHz	-	11.27	-
15dB Bandwidth	MHz	-	11.68	11.80
40dB Bandwidth	MHz	-	12.01	12.20
Passband Ripple	dB	-	0.75	1.00
Group Delay Variation	nsec	-	100	200
Absolute Delay	μsec	-	3.89	-
Ultimate Attenuation	dB	50	55	-
Substrate Material	-	128-LiNbO₃		
Temperature Coefficient	ppm/°C	-72		

Package Dimension



Matching Configuration



L1= 180nH,L2=180nH,C1=C2=160pF
 Source / Load Impedance = 50Ω
 Ambient Temperature = 25°C

Rev0.061212

