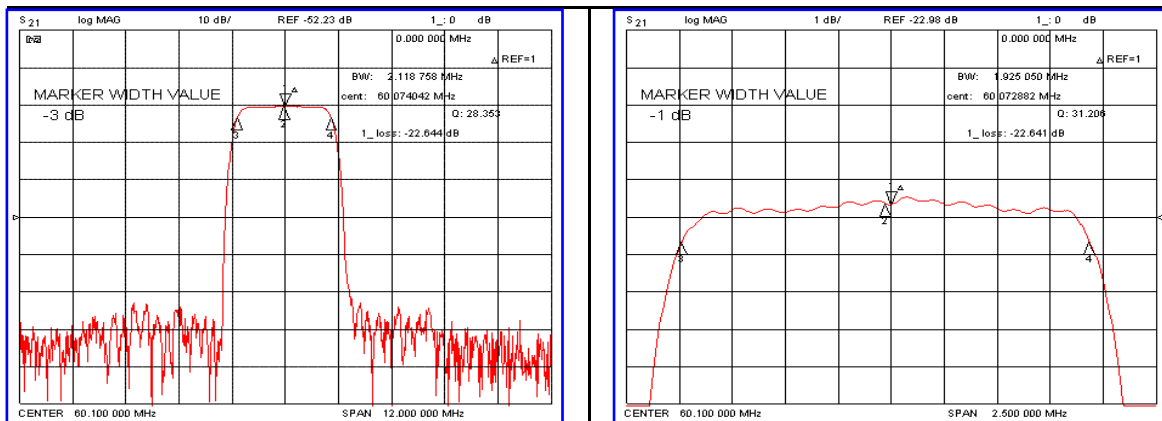


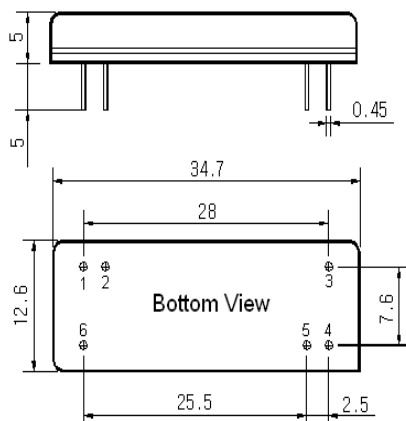
### Typical Performance



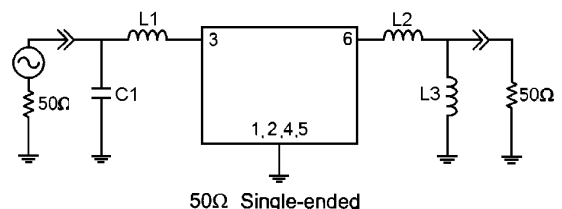
### Specification

| Parameter               | Unit   | Min.          | Typ.  | Max.  |
|-------------------------|--------|---------------|-------|-------|
| Center Frequency (Fc)   | MHz    | 60.02         | 60.10 | 60.18 |
| Insertion Loss          | dB     | -             | 23.00 | 25.00 |
| 1dB Bandwidth           | MHz    | 1.80          | 1.92  | -     |
| 3dB Bandwidth           | MHz    | -             | 2.11  | -     |
| 15dB Bandwidth          | MHz    | -             | 2.48  | 2.60  |
| 40dB Bandwidth          | MHz    | -             | 2.75  | 2.90  |
| Passband Ripple         | dB     | -             | 0.65  | 1.00  |
| Group Delay Variation   | nsec   | -             | 150   | 250   |
| Absolute Delay          | μsec   | -             | 3.82  | -     |
| Ultimate Attenuation    | dB     | 48            | 53    | -     |
| Substrate Material      | -      | <b>Quartz</b> |       |       |
| Temperature Coefficient | ppm/°C | -0.03         |       |       |

### Package Dimension



### Matching Configuration



L1= 330nH, L2=220nH, L2=100nH, C1=160pF  
 Source / Load Impedance = 50Ω  
 Ambient Temperature = 25°C

Rev0. 061211

