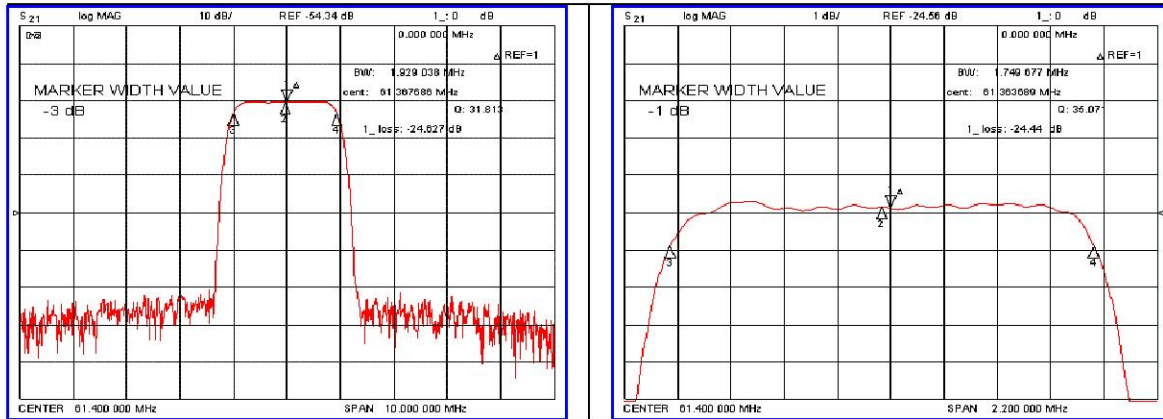


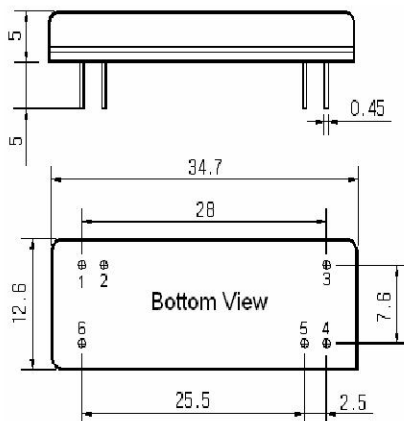
Typical Performance



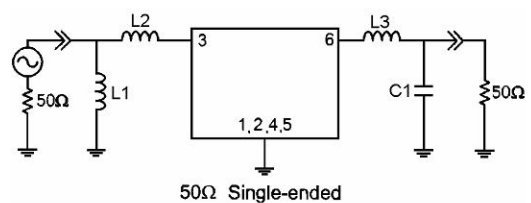
Specification

Parameter	Unit	Min.	Typ.	Max.
Center Frequency (Fc)	MHz	61.32	61.40	61.48
Insertion Loss	dB	-	24.70	26.00
1dB Bandwidth	MHz	1.60	1.74	-
3dB Bandwidth	MHz	-	1.92	-
15dB Bandwidth	MHz	-	2.28	2.40
40dB Bandwidth	MHz	-	2.55	2.70
Passband Ripple	dB	-	0.55	1.00
Group Delay Variation	nsec	-	100	200
Absolute Delay	µsec	-	3.83	-
Ultimate Attenuation	dB	48	53	-
Substrate Material	-	Quartz		
Temperature Coefficient	ppm/°C	-0.03		

Package Dimension



Matching Configuration



L1= 100nH, L2=220nH, L2=270nH, C1=150pF
 Source / Load Impedance = 50Ω
 Ambient Temperature = 25°C

Rev0. 061211

