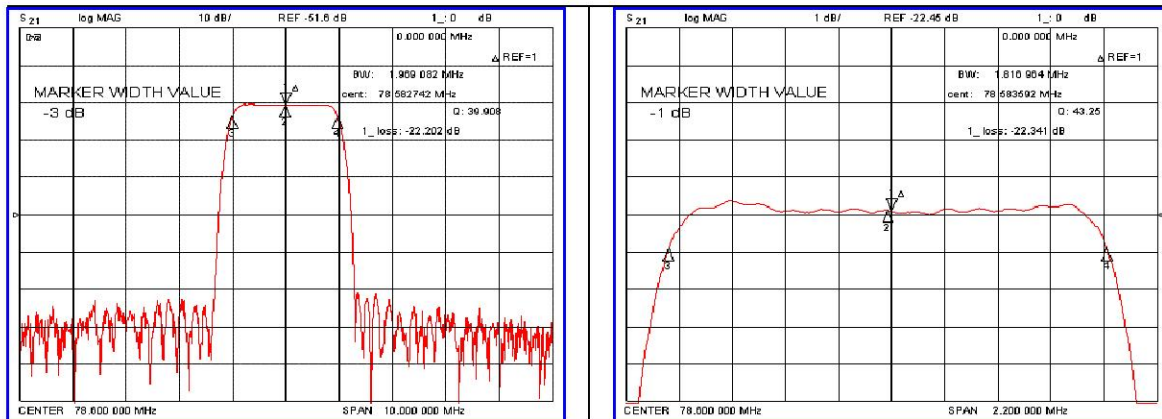


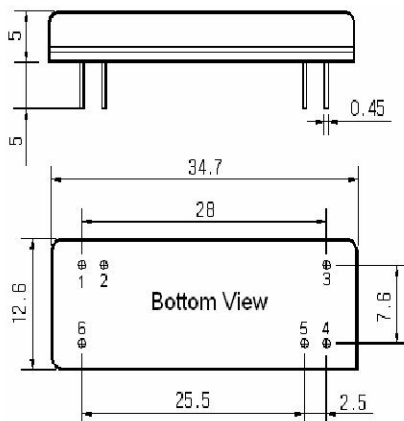
### Typical Performance



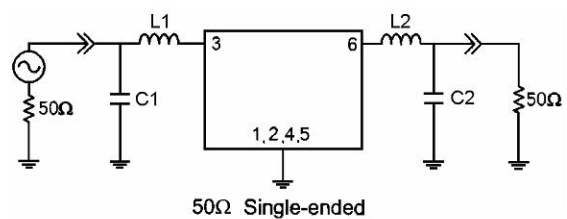
### Specification

Parameter	Unit	Min.	Typ.	Max.
Center Frequency (Fc)	MHz	78.52	78.60	78.68
Insertion Loss	dB	-	22.50	25.00
1dB Bandwidth	MHz	1.60	1.81	-
3dB Bandwidth	MHz	-	1.96	-
15dB Bandwidth	MHz	-	2.30	2.40
40dB Bandwidth	MHz	-	2.56	2.70
Passband Ripple	dB	-	0.50	1.00
Group Delay Variation	nsec	-	150	250
Absolute Delay	μsec	-	3.91	-
Ultimate Attenuation	dB	48	53	-
Substrate Material	-	<b>Quartz</b>		
Temperature Coefficient	ppm/°C	-0.03		

### Package Dimension



### Matching Configuration



L1= 220nH, L2=180nH, C1=56pF, C2=30pF  
 Source / Load Impedance = 50Ω  
 Ambient Temperature = 25°C

Rev0. 061209

