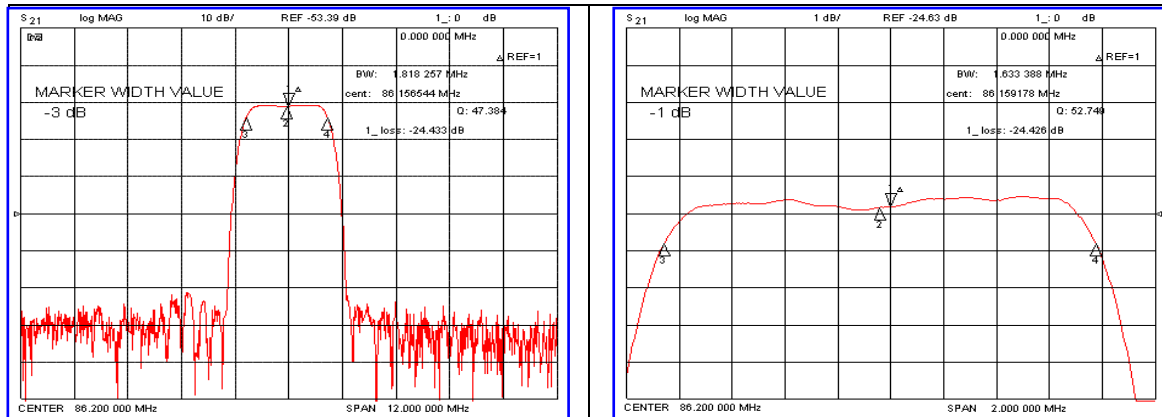


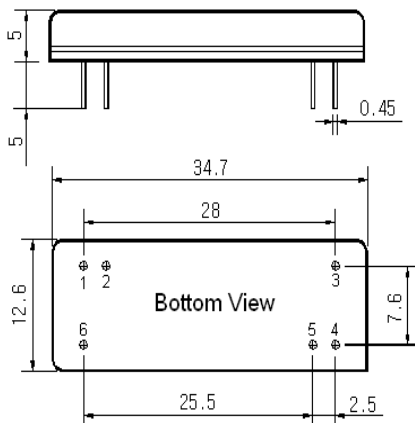
Typical Performance



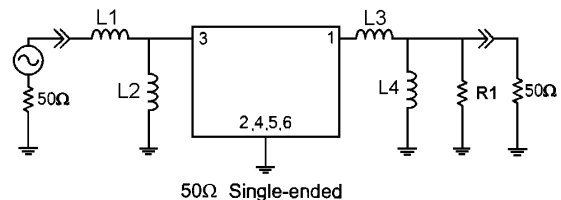
Specification

Parameter	Unit	Min.	Typ.	Max.
Center Frequency	MHz	86.12	86.20	86.28
Insertion Loss	dB	-	24.50	26.00
1dB Bandwidth	MHz	-	1.63	-
3dB Bandwidth	MHz	1.70	1.81	-
40dB Bandwidth	MHz	-	2.58	2.80
Passband Ripple	dB	-	0.50	1.00
Group Delay Variation	nsec	-	100	200
Absolute Delay	µsec	-	2.86	-
Ultimate Attenuation	dB	48	53	-
Substrate Material	-	Quartz		
Temperature Coefficient	ppm/°C	-0.03		

Package Dimension



Matching Configuration



L1=220nH, L2=390nH, L3=82nH, L4=68nH, R1=300 Ω
 Source / Load Impedance = 50Ω
 Ambient Temperature = 25°C

Rev2. 070402

