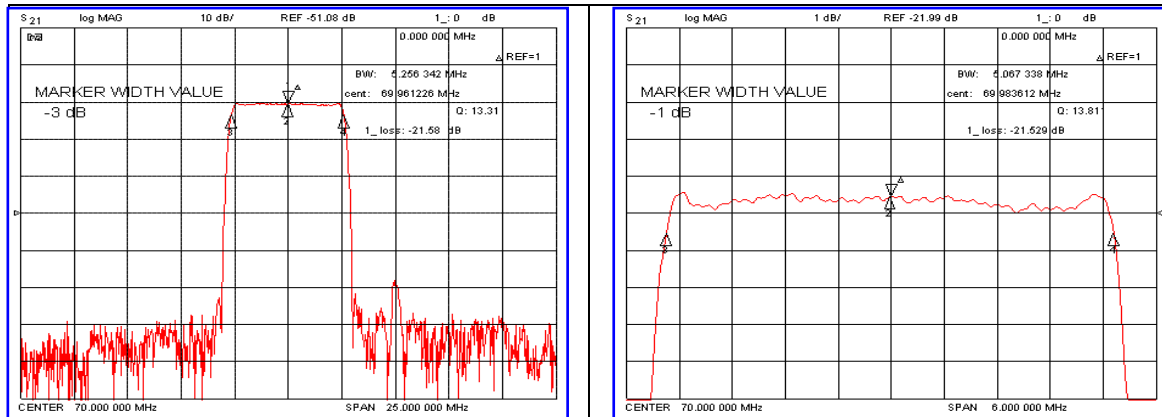


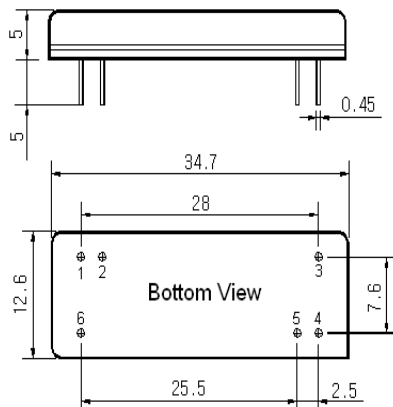
### Typical Performance



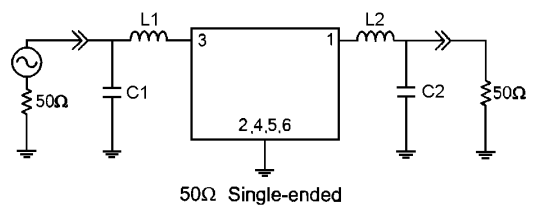
### Specification

| Parameter               | Unit   | Min.                  | Typ.  | Max.  |
|-------------------------|--------|-----------------------|-------|-------|
| Center Frequency (Fc)   | MHz    | 69.92                 | 70.00 | 70.08 |
| Insertion Loss          | dB     | -                     | 20.55 | 24.00 |
| 1dB Bandwidth           | MHz    | 4.90                  | 5.06  | -     |
| 3dB Bandwidth           | MHz    | -                     | 5.25  | -     |
| 33dB Bandwidth          | MHz    | -                     | 5.93  | -     |
| 40dB Bandwidth          | MHz    | -                     | 5.99  | 6.15  |
| Passband Ripple         | dB     | -                     | 0.60  | 1.00  |
| Group Delay Variation   | nsec   | -                     | 150   | 250   |
| Absolute Delay          | µsec   | -                     | 3.70  | -     |
| Ultimate Attenuation    | dB     | -                     | 50    | -     |
| Substrate Material      | -      | Yz-LiNbO <sub>3</sub> |       |       |
| Temperature Coefficient | ppm/°C | -94                   |       |       |

### Package Dimension



### Matching Configuration



L1= L2=27nH, C1=C2=10pF  
 Source / Load Impedance = 50Ω  
 Ambient Temperature = 25°C

Rev0. 061214

