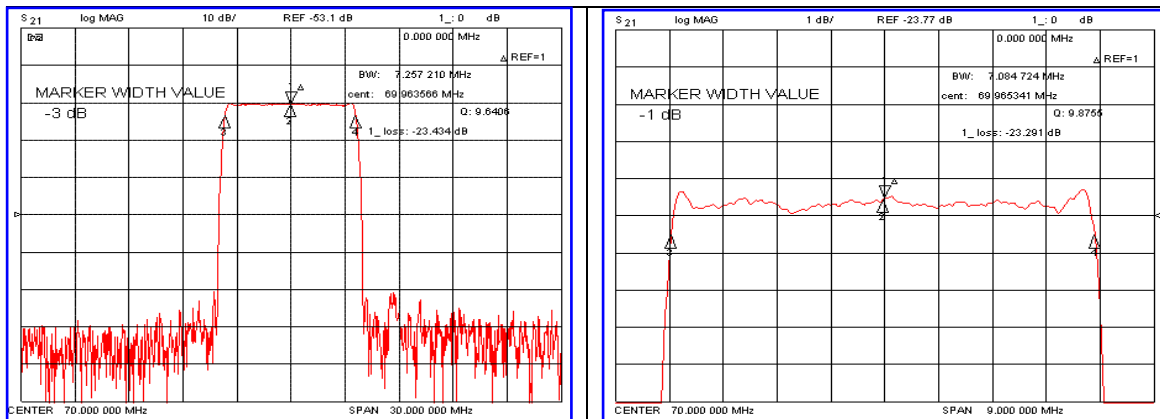


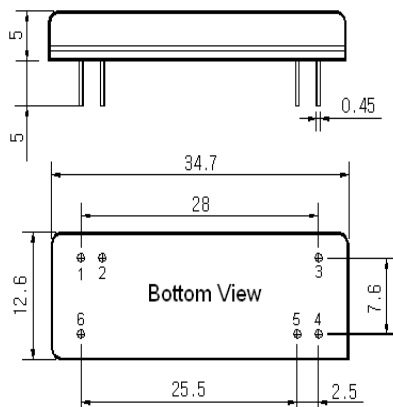
Typical Performance



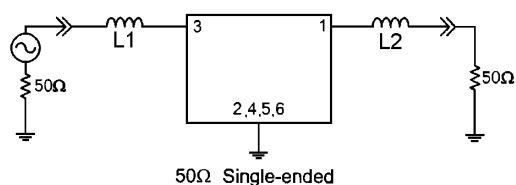
Specification

Parameter	Unit	Min.	Typ.	Max.
Center Frequency (Fc)	MHz	69.92	70.00	70.08
Insertion Loss	dB	-	23.50	25.00
1dB Bandwidth	MHz	6.90	7.08	-
3dB Bandwidth	MHz	-	7.25	-
33dB Bandwidth	MHz	-	7.94	-
40dB Bandwidth	MHz	-	8.00	8.15
Passband Ripple	dB	-	0.65	1.00
Group Delay Variation	nsec	-	100	200
Absolute Delay	µsec	-	3.67	-
Ultimate Attenuation	dB	-	50	-
Substrate Material	-	Yz-LiNbO ₃		
Temperature Coefficient	ppm/°C	-94		

Package Dimension



Matching Configuration



L1=20nH, L2=27nH,
 Source / Load Impedance = 50Ω
 Ambient Temperature = 25°C

Rev0.061214

