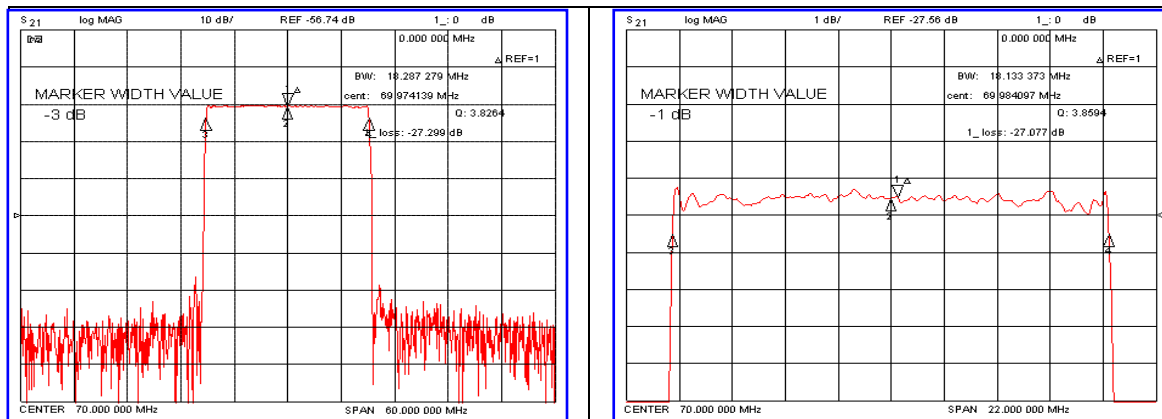


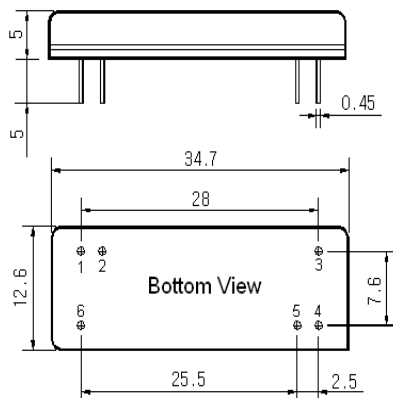
Typical Performance



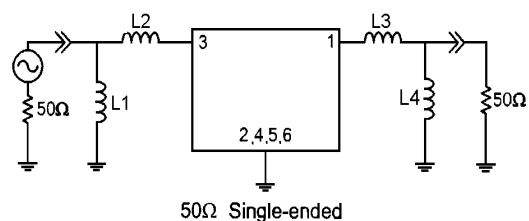
Specification

Parameter	Unit	Min.	Typ.	Max.
Center Frequency (Fc)	MHz	69.92	70.00	70.08
Insertion Loss	dB	-	27.50	-
1dB Bandwidth	MHz	18.00	18.13	-
3dB Bandwidth	MHz	-	18.28	-
33dB Bandwidth	MHz	-	18.91	-
40dB Bandwidth	MHz	-	18.97	19.10
Passband Ripple	dB	-	0.75	1.00
Group Delay Variation	nsec	-	70	150
Absolute Delay	µsec	-	3.78	-
Ultimate Attenuation	dB	-	46	-
Substrate Material	-	128-LiNbO ₃		
Temperature Coefficient	ppm/°C	-72		

Package Dimension



Matching Configuration



L1=270nH, L2=22nH, L3=22nH, L4=270nH
 Source / Load Impedance = 50Ω
 Ambient Temperature = 25°C

Rev1. 070104

