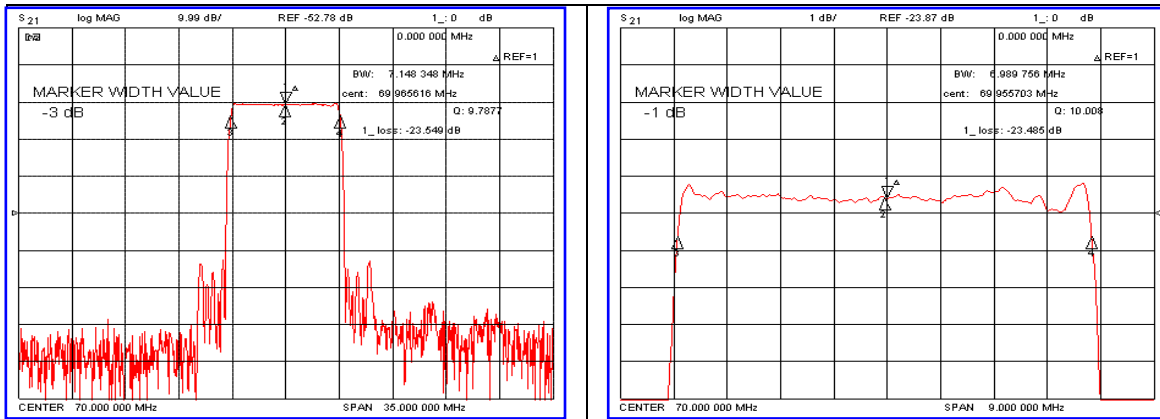


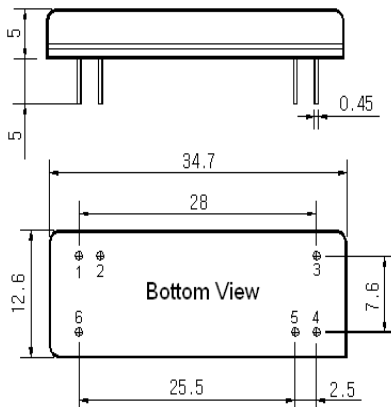
Typical Performance



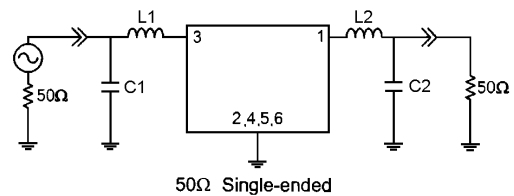
Specification

| Parameter | Unit | Min. | Typ. | Max. |
|-------------------------|--------|-----------------------|-------|-------|
| Center Frequency | MHz | 69.96 | 70.00 | 70.04 |
| Insertion Loss | dB | - | 23.50 | 25.00 |
| 1dB Bandwidth | MHz | 6.96 | 6.98 | - |
| 3dB Bandwidth | MHz | - | 7.14 | - |
| 35dB Bandwidth | MHz | - | 7.77 | - |
| 40dB Bandwidth | MHz | - | 7.80 | 7.82 |
| Passband Ripple | dB | - | 0.75 | 1.00 |
| Group Delay Variation | nsec | - | 110 | 200 |
| Absolute Delay | μsec | - | 3.68 | - |
| Ultimate Attenuation | dB | - | 45 | - |
| Substrate Material | - | Yz-LiNbO ₃ | | |
| Temperature Coefficient | ppm/°C | -94 | | |

Package Dimension



Matching Configuration



L1=82nH, L2=82nH, C1=24pF, C2=24pF
 Source / Load Impedance = 50Ω
 Ambient Temperature = 25°C

10/25/2006

