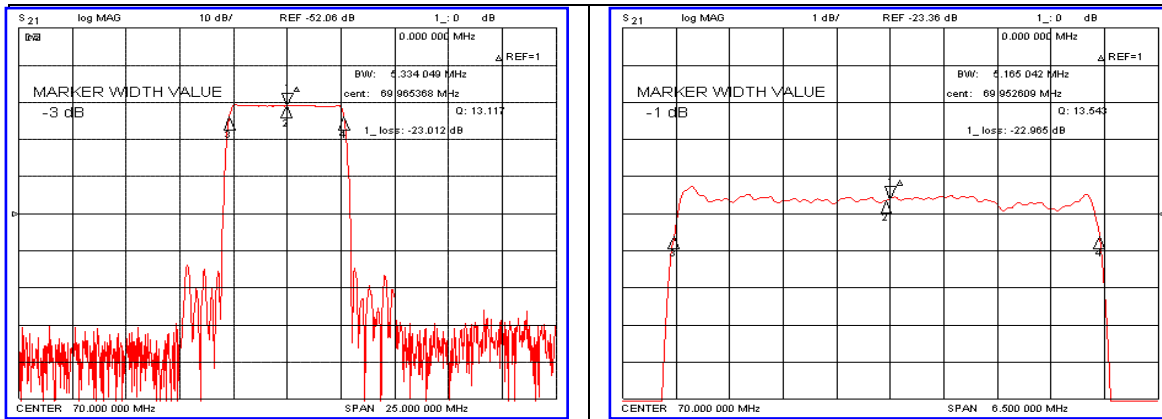


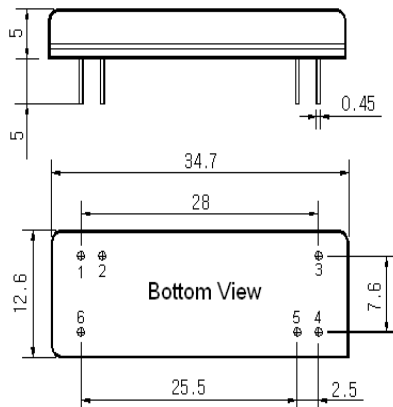
### Typical Performance



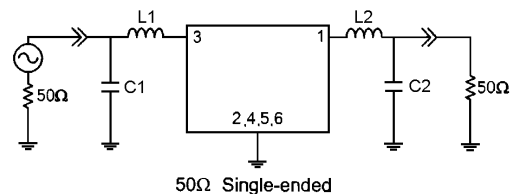
### Specification

Parameter	Unit	Min.	Typ.	Max.
Center Frequency	MHz	69.96	70.00	70.04
Insertion Loss	dB	-	23.00	25.00
1dB Bandwidth	MHz	5.14	5.16	-
3dB Bandwidth	MHz	-	5.33	-
35dB Bandwidth	MHz	-	5.96	-
40dB Bandwidth	MHz	-	5.99	6.02
Passband Ripple	dB	-	0.70	1.00
Group Delay Variation	nsec	-	130	200
Absolute Delay	μsec	-	3.67	-
Ultimate Attenuation	dB	-	45	-
Substrate Material	-	Yz-LiNbO <sub>3</sub>		
Temperature Coefficient	ppm/°C	-94		

### Package Dimension



### Matching Configuration



L1=22nH, L2=15nH, C1=22pF, C2=7pF  
 Source / Load Impedance = 50Ω  
 Ambient Temperature = 25°C

10/25/2006

