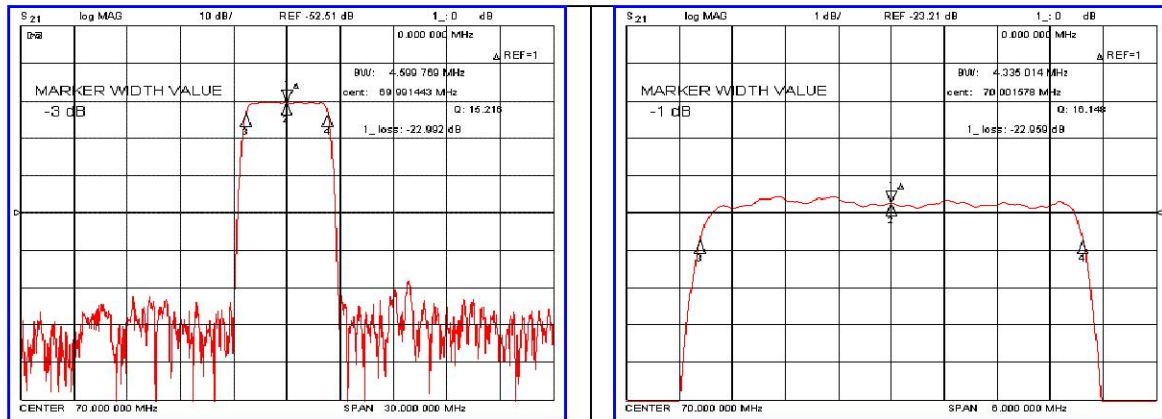


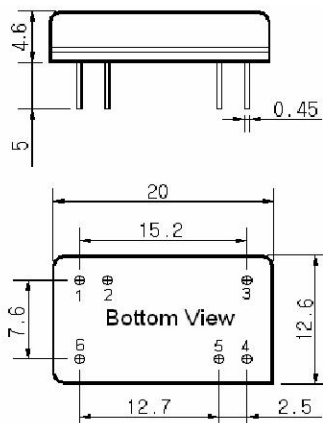
Typical Performance



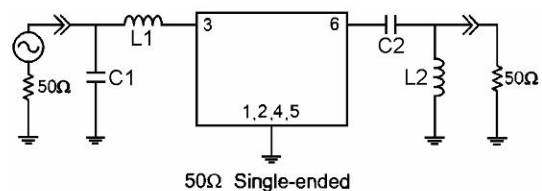
Specification

Parameter	Unit	Min.	Typ.	Max.
Center Frequency	MHz	69.92	70.00	70.08
Insertion Loss	dB	-	23.00	25.00
1dB Bandwidth	MHz	-	4.35	-
3dB Bandwidth	MHz	4.40	4.60	-
15dB Bandwidth	MHz	-	5.18	5.40
40dB Bandwidth	MHz	-	5.67	6.00
Passband Ripple	dB	-	0.55	1.00
Group Delay Variation	nsec	-	100	200
Absolute Delay	μsec	-	2.38	-
Ultimate Attenuation	dB	45	48	-
Substrate Material	-	112-LiTaO ₃		
Temperature Coefficient	ppm/°C	-20		

Package Dimension



Matching Configuration



L₁=100nH, L₂=68nH, C₁=56pF, C₂=150pF
 Source / Load Impedance = 50Ω
 Ambient Temperature = 25°C

Rev1. 061229

